

## ACO Product Catalogue

### ACO Access Cover

SERVOKAT SMART  
SERVOKAT GD  
SERVOKAT GD FR

# ACO Access Cover SERVOKAT SMART

## Product information

- Type tested and certified according to EN 124:2015
- Meets declared load class up to D400
- Opening assistance contributed by mechanical torsion springs
- Easy lock and simple hinges not interfering the clear opening
- Cushioning inserts reducing noise from traffic
- Corrosion resistant – hot dip galvanized mild steel / pickled passivated stainless steel
- Secure and time saving installation – no frame work application for installation
- Very shallow installation height – ONLY 80 mm
- Watertightness tested (not certified) acc. to EN 1253-4
- ACO Access Cover Servokat SMART is the best solution when cover has to be frequently opened and closed in order to inspect or maintain shaft's area of cover underneath.
- All cover's parts are not interfering clear opening in order to bring as safe and easy cover usage as possible.
- Ideal solution for application requiring a shallow installation while maintaining safety, functionality and very high load resistance.

\*Watertightness test procedure acc. to EN 1253-4: water flooding 10±1 mm for time period 15±1m – no leak of water to the bottom side of cover supervised by Authorized body 204

**GS** - hot dip galvanized mild steel (1.0037)

**SS** - pickle passivated stainless steel (1.4301)

# ACO Access Cover SERVOKAT SMART A15



## Order information

Clear opening (A x B)	External dimensions (C x D)	Frame height [mm]	Load class (EN 124)	Weight [kg]	Part No.	Part No.
					GS (1.0037)	SS (1.4301)
1000 x 1000	1241 x 1206	80	A15	141	448306	448305
800 x 800	1041 x 1006	80	A15	106	448310	448309

## ACO Access Cover SERVOKAT SMART B125



### Order information

Clear opening (A x B)	External dimensions (C x D)	Frame height [mm]	Load class (EN 124)	Weight [kg]	Part No.	Part No.
					GS	SS
					(1.0037)	(1.4301)
1000 x 1000	1241 x 1206	80	B125	166	450170	450169
800 x 800	1041 x 1006	80	B125	120	450166	450165

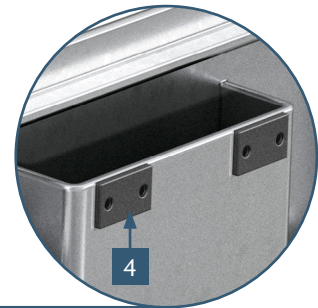
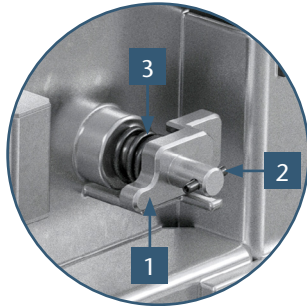
## ACO Access Cover SERVOKAT SMART D400



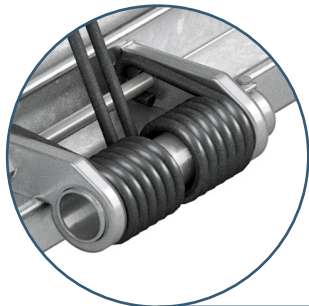
### Order information

Clear opening (A x B)	External dimensions (C x D)	Frame height [mm]	Load class (EN 124)	Weight [kg]	Part No.	Part No.
					GS	SS
					(1.0037)	(1.4301)
1000 x 1000	1241 x 1206	80	D400	206	448138	448137
900 x 900	1141 x 1106	80	D400	180	448140	448139
800 x 800	1041 x 1006	80	D400	147	448142	448141
700 x 700	941 x 906	80	D400	124	448144	448143
600 x 600	841 x 806	80	D400	99	448146	448145
600 x 800	841 x 1006	80	D400	122	448148	448147
600 x 900	841 x 1106	80	D400	135	448150	448149
800 x 1000	1041 x 1206	80	D400	173	448152	448151
1000 x 1500	1241 x 1706	80	D400	280	448154	448153
900 x 1200	1141 x 1406	80	D400	220	448156	448155
1000 x 1200	1241 x 1406	80	D400	234	449664	449663

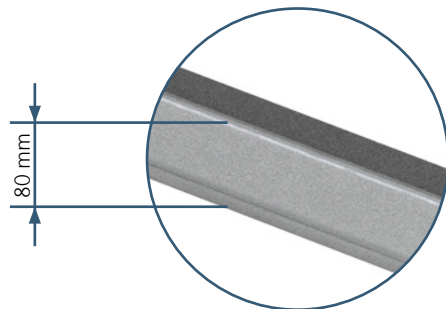
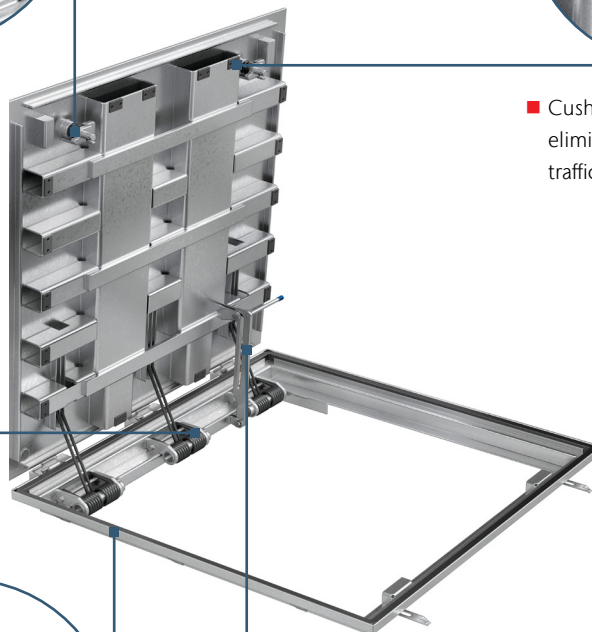
- Easy, fast and flawless lock system does not interfere clear opening
- Equipped with a seal designed to avoid water collection between the cover's frame and lid
- Lifting key to open/close from above



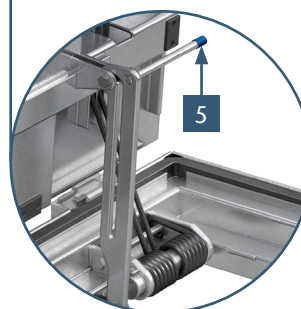
- Cushioning inserts in order to eliminate potential noise from traffic while driven over



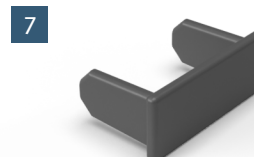
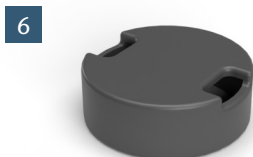
- Torsion spring opening assistance



- Functional design in order to avoid water collection between frame and lid
- Shallow installation height – 80 mm only



- Lid is automatically locked in place by safety catch when opened
- Easy to release by hand or leg



## Spare parts:

### ACO Access Cover SERVOKAT SMART A15, B125

Image No.	Name	Article No.
1	Turn buckle element	E70943
2	Screw of turn buckle	NM19597
3	Spring of turn buckle	NM19607
4	Cushioning insert	E68190
5	Cap of secure rod	NM20269
6	Plastic cap	E68756
7	Plastic cap	E68758

### ACO Access Cover SERVOKAT SMART D400

Image No.	Name	Article No.
1	Turn buckle element	NM19944
2	Screw of turn buckle	NM19597
3	Spring of turn buckle	NM19607
4	Cushioning insert	E68190
5	Cap of secure rod	NM20269
6	Plastic cap	E68756
7	Plastic cap	E68758

# ACO Access Cover SERVOKAT GD B125

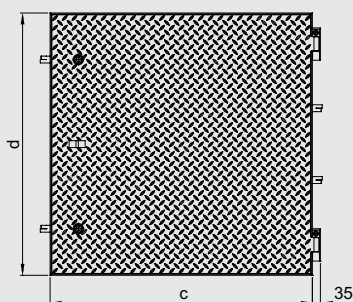
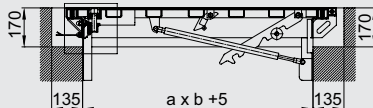


## Product information

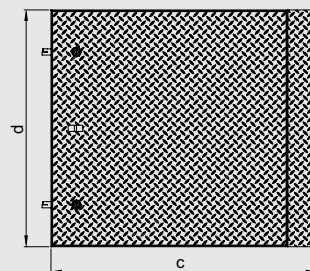
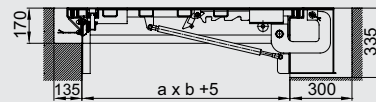
- Type tested and certified according to EN 124:2015
- Meets declared load class up to B125
- Opening assistance contributed by gas spring
- Corrosion resistant – hot dip galvanized mild steel / pickled passivated stainless steel
- Watertightness tested (not certified) acc. to EN 1253-4
- Cover locking from above (normal lock type) or from the underneath (emergency exit type)

\*Watertightness test procedure acc. to EN 1253-4: water flooding 10±1 mm for time period 15±1m – no leak of water to the bottom side of cover supervised by Authorized body 204

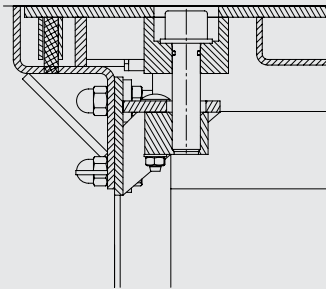
### Frame and cover Galvanised steel



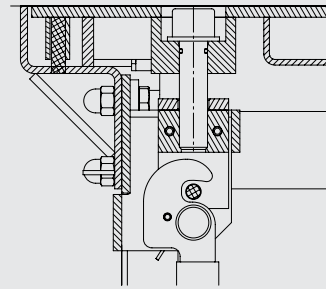
### Frame and cover Stainless steel



## Lock type Normal



## Lock type Emergency exit



### Order information – Galvanised steel

Clear opening (A x B)	External dimensions (C x D)	Height	Number of locks	Weight	Lock type Normal	Lock type Emergency exit
[mm]	[mm]	[mm]		[kg]	Part No.	Part No.
600 x 600	744 x 744	170	1	100	58447	58606
600 x 800	744 x 944	170	2	120	59923	60162
700 x 700	844 x 844	170	1	120	59231	59232
700 x 1400	844 x 1544	170	2	200	59400	60163
800 x 800	944 x 944	170	2	150	58448	58607
800 x 1000	944 x 1144	170	2	170	59570	60164
1000 x 1000	1144 x 1144	170	2	200	58449	59924
1000 x 1500	1144 x 1644	170	2	270	60161	60165
1000 x 2000	1144 x 2144	170	3	340	58751	60166
1200 x 1200	1344 x 1344	170	2	260	58450	60167
1500 x 1500	1644 x 1644	170	2	350	685254	60168

### Order information – Stainless steel

Clear opening (A x B)	External dimensions (C x D)	Height	Number of locks	Weight	Lock type Normal	Lock type Emergency exit
[mm]	[mm]	[mm]		[kg]	Part No.	Part No.
600 x 600	889 x 744	335	1	120	59298	59301
600 x 800	889 x 944	335	2	140	59925	60395
700 x 700	989 x 844	335	1	140	59929	59302
700 x 1400	989 x 1544	335	2	220	60393	60396
800 x 800	1089 x 944	335	2	170	58451	59303
800 x 1000	1089 x 1144	335	2	190	60394	60397
1000 x 1000	1289 x 1144	335	2	220	58452	59304
1000 x 1500	1289 x 1644	335	2	290	60169	58608
1000 x 2000	1289 x 2144	335	3	380	59550	60398
1200 x 1200	1489 x 1344	335	2	280	59300	60399
1500 x 1500	1789 x 1644	335	2	380	59551	60400

# ACO Access Cover SERVOKAT GD D400

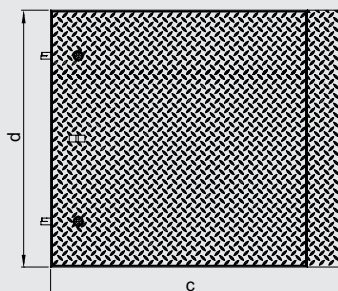
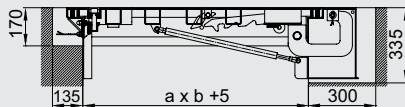
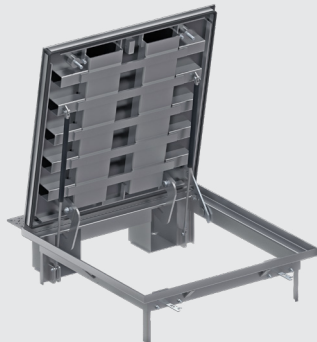


## Product information

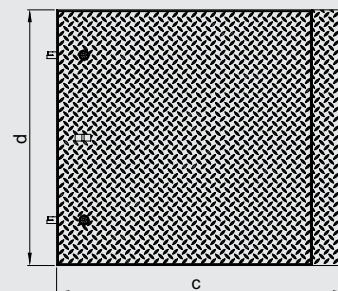
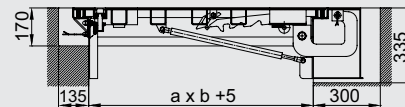
- Type tested and certified according to EN 124:2015
- Meets declared load class up to D400
- Opening assistance contributed by gas spring
- Corrosion resistant – hot dip galvanized mild steel / pickled passivated stainless steel
- Watertightness tested (not certified) acc. to EN 1253-4
- Cover locking from above (normal lock type) or from the underneath (emergency exit type)

\*Watertightness test procedure acc. to EN 1253-4: water flooding 10±1 mm for time period 15±1m – no leak of water to the bottom side of cover supervised by Authorized body 204

### Frame and cover Galvanised steel

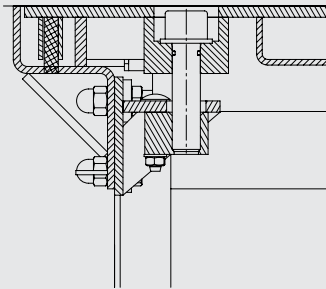


### Frame and cover Stainless steel

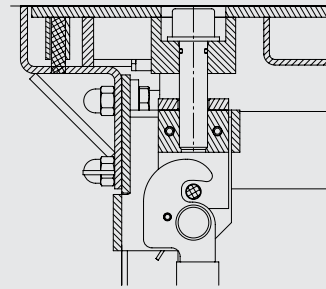




## Lock type Normal



## Lock type Emergency exit



### Order information – Galvanised steel

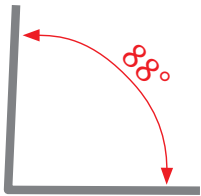
Clear opening (A x B)	External dimensions (C x D)	Height	Number of locks	Weight	Lock type Normal	Lock type Emergency exit
[mm]	[mm]	[mm]		[kg]	Part No.	Part No.
600 x 600	889 x 744	335	1	130	59934	60936
600 x 800	889 x 944	335	2	150	59935	60937
700 x 700	989 x 844	335	1	150	59936	60938
700 x 1400	989 x 1544	335	2	250	60546	60939
800 x 800	1089 x 944	335	2	180	58453	58904
800 x 1000	1089 x 1144	335	2	200	59937	59554
1000 x 1000	1289 x 1144	335	2	240	58454	58711
1000 x 1500	1289 x 1644	335	2	320	58455	59305
1000 x 2000	1289 x 2144	335	3	420	58905	60940
1200 x 1200	1489 x 1344	335	2	310	59493	60941
1500 x 1500	1789 x 1644	335	2	430	58712	60942

### Order information – Stainless steel

Clear opening (A x B)	External dimensions (C x D)	Height	Number of locks	Weight	Lock type Normal	Lock type Emergency exit
[mm]	[mm]	[mm]		[kg]	Part No.	Part No.
600 x 600	889 x 744	335	1	130	59938	60457
600 x 800	889 x 944	335	2	150	60456	60458
700 x 700	989 x 844	335	1	150	59870	60460
700 x 1400	989 x 1544	335	2	250	60459	60461
800 x 800	1089 x 944	335	2	180	58611	58713
800 x 1000	1089 x 1144	335	2	200	58612	60462
1000 x 1000	1289 x 1144	335	2	240	58456	59939
1000 x 1500	1289 x 1644	335	2	320	60463	60464
1000 x 2000	1289 x 2144	335	3	420	59155	60465
1200 x 1200	1489 x 1344	335	2	310	59940	60466
1500 x 1500	1789 x 1644	335	2	440	59519	59520

- With optional lock for emergency exiting – can be quickly unlocked from below

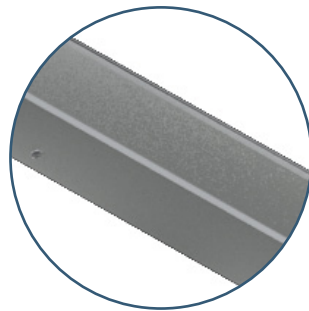
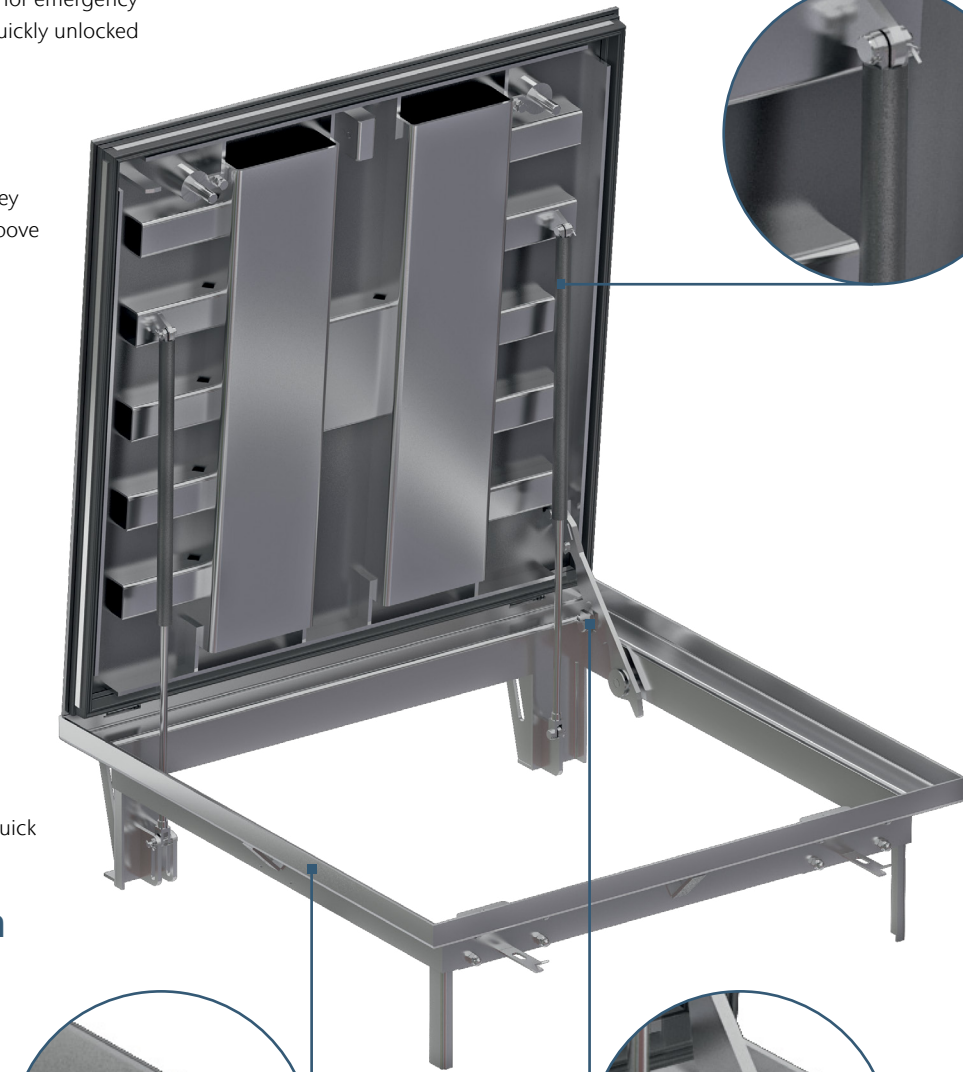
- Screw-lock with lifting key to open or close from above



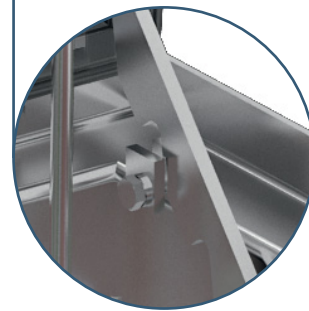
- 88° opening angle for quick and safe access

## Easy to open

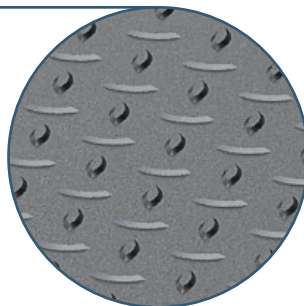
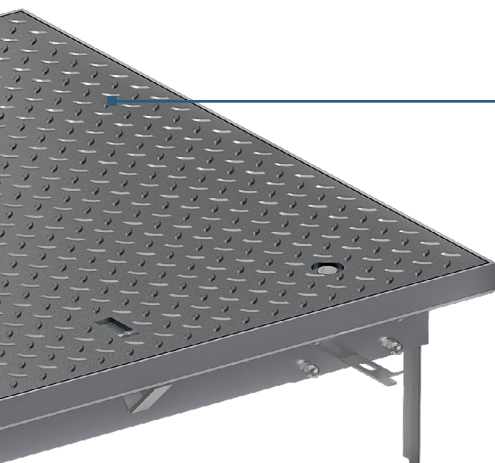
- Gas spring opening assistance



- Galvanised steel or stainless steel



- Cover is automatically locked in place by safety catch when opened



- Surface has a diagonally-ribbed structure



**askACO**

train | design | support | care



## ACO design and support service

Further information available at: [www.aco-accesscovers.com](http://www.aco-accesscovers.com)

Follow us on:    

# ACO Access Cover SERVOKAT GD FR (Fire Resistance)

## Product information

- The fire resistance classification E120, EI<sub>1</sub> 60, EI<sub>2</sub> 60 has been performed and assessed by the authorised laboratory PAVUS a.s. (authorised body AO 216) according to EN 1634-1 + A1, EN 1363-1, ČSN 73 0810)
- The fire resistance classification of ACO Servokat FR is declared by „Fire classification approval of fire resistance“
- Type tested and certified according to EN124:2015
- Meets declared load class B125 and D400
- Hot dip galvanized mild steel
- Watertightness tested (not certified) acc. to EN 1253-4
- Opening and closing from above as well as for quick opening from underneath as emergency exit solution without using a tool

\*Watertightness test procedure acc. to EN 1253-4: water flooding 10±1 mm for time period 15±1m – no leak of water to the bottom side of cover supervised by Authorized body 204

# ACO Access Cover SERVOKAT GD FR B125



## Order information – Galvanised steel

Clear opening (A x B)	External dimensions (C x D)	Frame height	Load class (EN 253)	Weight	E	EI	Lock type	Lock type
							NORMAL	EMERGENCY EXIT
[mm]	[mm]	[mm]		[kg]			Part No.	Part No.
600x800	744x944	130	B125	132.2	E120	EI60	448168	–
600x800	744x944	130	B125	138.3	E120	EI60	–	448171
800x800	944x944	130	B125	160.6	E120	EI60	448158	–
800x800	944x944	130	B125	166.7	E120	EI60	–	448162
800x1000	944x1144	130	B125	181.9	E120	EI60	448167	–
800x1000	944x1144	130	B125	188	E120	EI60	–	448173
1000x1000	1144x1144	130	B125	217.2	E120	EI60	448159	–
1000x1000	1144x1144	130	B125	223.3	E120	EI60	–	448169

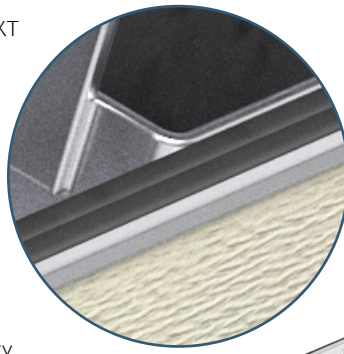
# ACO Access Cover SERVOKAT GD FR D400



## Order information – Galvanised steel

Clear opening (A x B)	External dimensions (C x D)	Frame height	Load class (EN 253)	Weight	E	EI	Lock type NORMAL	Lock type EMERGENCY EXIT
[mm]	[mm]	[mm]		[kg]			Part No.	Part No.
600x800	744x944	130	D400	141.8	E120	EI60	448190	–
600x800	744x944	130	D400	147.9	E120	EI60	–	448195
800x800	944x944	130	D400	172	E120	EI60	448179	–
800x800	944x944	130	D400	178.2	E120	EI60	–	448184
800x1000	944x1144	130	D400	196.7	E120	EI60	448192	–
800x1000	944x1144	130	D400	202.8	E120	EI60	–	448188
1000x1000	1144x1144	130	D400	235.9	E120	EI60	448180	–
1000x1000	1144x1144	130	D400	242	E120	EI60	–	448182

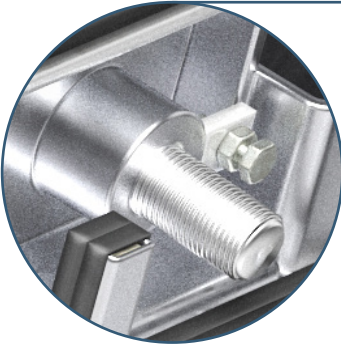
■ Intumescent seal PROMASEAL®-XT



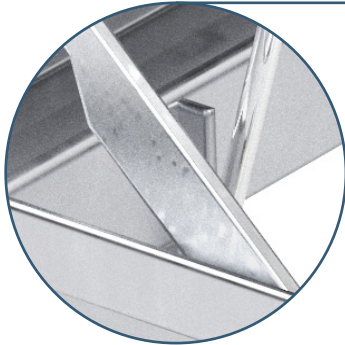
■ Gas spring opening assistance



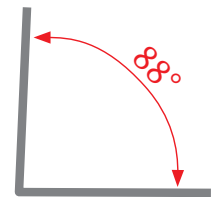
■ With optional lock for emergency exiting - can be quickly unlocked from below



■ Screw-lock with lifting key to open or close from above



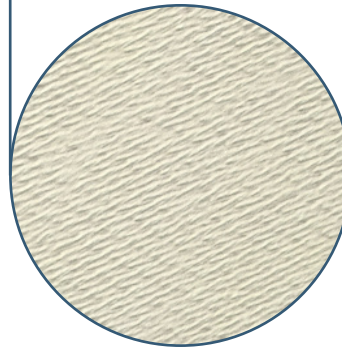
■ Cover is automatically locked in place by safety catch when opened



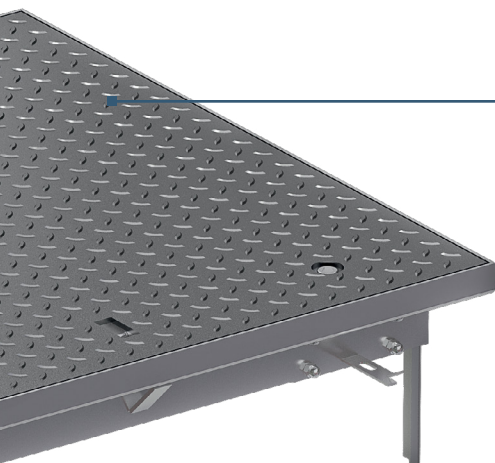
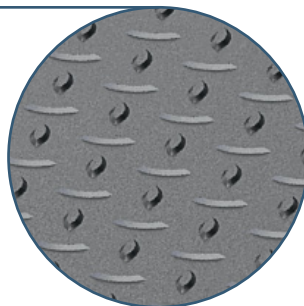
■ 88° opening angle for quick and safe access

**Easy to open**


■ Fire protective construction board PROMATECT-H



■ Surface has a diagonally-ribbed structure



# Supplementary components

	Description	Weight [kg]	Article No.
	<b>Lifting and operating lifting key</b>	Approx. 1.3 kg	4143.00.00



ACO products support  
the ACO WaterCycle



- 
- ACO Access Covers SERVOKAT SMART
  - ACO Access Covers SERVOKAT GD
  - ACO Access Covers SERVOKAT GD  
Fire Resistance (FR)
- 

ACO građevinski elementi d.o.o

III Industrijska zona bb  
22314 Krnješevci  
Srbija

[www.aco.rs](http://www.aco.rs)

All reasonable care has been taken in compiling the information in this document. All recommendations and suggestions on the use of ACO products are made without guarantee since the conditions of use are beyond the control of the Company. It is the customer's responsibility to ensure that each product is fit for its intended purpose and that the actual conditions of use are suitable. This brochure and any advice is provided free of charge and accordingly on terms that no liability (including liability for negligence) will attach the Company or its servants or agents arising out of or in connection with or in relation to this brochure or any such advice. Any goods supplied by the Company will be supplied solely upon its standard conditions of sale, copies of which are available on request. The Company's policy of continuous product development and improvement renders specifications liable to modification. Information provided in this brochure is therefore subject to change without prior notification.