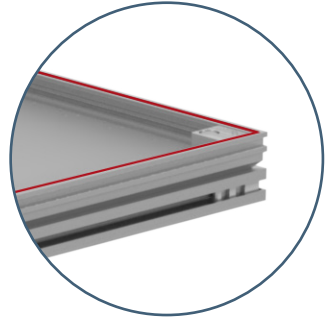
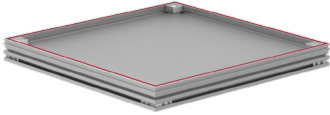


Installation manual

ACO Access Covers

UNIFACE

- | | | | |
|------------|------------------------------------|------------|----------------------------------|
| ENG | Installation Manual | EST | Paigaldusjuhend |
| GER | Installationsanleitung | LAV | Uzstādīšanas instrukcija |
| FRA | Instructions d'installation | LIT | Montavimo instrukcija |
| ESP | Manual De Instalación | POL | Instrukcja montażu |
| POR | Manual de Instalação | BUL | Инструкции за инсталация |
| ITA | Manuale d'installazione | HUN | Beépítési útmutató |
| NLD | Installatiehandleiding | RUM | Instructiuni de instalare |
| CZE | Instalační manuál | HRV | Upute za ugradnju |
| RUS | Инструкция По Установке | SLV | Navodila za vgradnjo |
| SWE | Installationsanvisning | SRP | Preporuka za ugradnju |
| NOR | Installasjons Manual | TUR | Montaj kılavuzu |
| FIN | Asennusohje | | |
| DAN | Installationsvejledning | | |



ACO Access Covers UNIFACE 2.0 GS

Order information

Clear opening (A x B)	External dimensions (C x D)	Frame height	Cover depth	Space for final floor	Load class (EN 1253)	Weight	Part No.
[mm]	[mm]	[mm]	[mm]	[mm]		[kg]	
300 x 300	410 x 410	82,5	70	15	N250	9,26	415858
400 x 400	510 x 510	82,5	70	15	N250	11,89	415859
400 x 600	510 x 710	82,5	70	15	N250	14,65	415860
450 x 450	560 x 560	82,5	70	15	M125	13,55	415861
500 x 500	610 x 610	82,5	70	15	M125	14,79	415862
600 x 600	710 x 710	82,5	70	15	M125	18,05	415863
600 x 800	710 x 910	82,5	70	15	M125	23,66	415864
600 x 1000	710 x 1110	82,5	70	15	M125	27,56	415865
600 x 1200	710 x 1310	82,5	70	15	M125	31,47	415866
635 x 635	745 x 745	82,5	70	15	L15	21,5	415867
700 x 700	810 x 810	82,5	70	15	L15	23,84	415868
800 x 800	910 x 910	82,5	70	15	L15	28,4	415869
800 x 1000	910 x 1110	82,5	70	15	L15	33,09	415870
1000 x 1000	1110 x 1110	82,5	70	15	L15	38,58	415871
450 x 450	560 x 560	82,5	110	15	N250	13,71	415872
500 x 500	610 x 610	82,5	110	15	N250	14,96	415873
600 x 600	710 x 710	82,5	110	15	N250	18,31	415874
600 x 800	710 x 910	82,5	110	15	N250	24,31	415875
600 x 1000	710 x 1110	82,5	110	15	N250	28,81	415876
635 x 635	745 x 745	82,5	110	15	M125	21,34	415877
700 x 700	810 x 810	82,5	110	15	M125	24,33	415878
800 x 800	910 x 910	82,5	110	15	M125	29,06	415879
800 x 1000	910 x 1110	82,5	110	15	M125	30,9	415880
1000 x 1000	1110 x 1110	82,5	110	15	M125	39,57	415881
635 x 635	745 x 745	82,5	140	15	N250	22,35	415882
700 x 700	810 x 810	82,5	140	15	N250	25,26	415883
800 x 800	910 x 910	82,5	140	15	N250	30,06	415884
800 x 1000	910 x 1110	82,5	140	15	N250	26,98	415885
1000 x 1000	1110 x 1110	82,5	140	15	N250	40,62	415886

ACO Access Covers UNIFACE 2.0 SS

Order information

Clear opening (A x B)	External dimensions (C x D)	Frame height	Cover depth	Space for final floor	Load class (EN 1253)	Weight	Part No.
[mm]	[mm]	[mm]	[mm]	[mm]		[kg]	
300 x 300	410 x 410	82,5	70	15	N250	9,26	415887
400 x 400	510 x 510	82,5	70	15	N250	11,89	415888
400 x 600	510 x 710	82,5	70	15	N250	14,65	415889
450 x 450	560 x 560	82,5	70	15	M125	13,55	415890
500 x 500	610 x 610	82,5	70	15	M125	14,79	415891
600 x 600	710 x 710	82,5	70	15	M125	18,05	415892
600 x 800	710 x 910	82,5	70	15	M125	23,66	415893
600 x 1000	710 x 1110	82,5	70	15	M125	27,56	415894
600 x 1200	710 x 1310	82,5	70	15	M125	31,47	415895
635 x 635	745 x 745	82,5	70	15	L15	21,5	415896
700 x 700	810 x 810	82,5	70	15	L15	23,84	415897
800 x 800	910 x 910	82,5	70	15	L15	28,4	415898
800 x 1000	910 x 1110	82,5	70	15	L15	33,09	415899
1000 x 1000	1110 x 1110	82,5	70	15	L15	38,58	415900
450 x 450	560 x 560	82,5	110	15	N250	13,71	415901
500 x 500	610 x 610	82,5	110	15	N250	14,96	415902
600 x 600	710 x 710	82,5	110	15	N250	18,31	415903
600 x 800	710 x 910	82,5	110	15	N250	24,31	415904
600 x 1000	710 x 1110	82,5	110	15	N250	28,81	415905
635 x 635	745 x 745	82,5	110	15	M125	21,34	415906
700 x 700	810 x 810	82,5	110	15	M125	24,33	415907
800 x 800	910 x 910	82,5	110	15	M125	29,06	415908
800 x 1000	910 x 1110	82,5	110	15	M125	30,9	415909
1000 x 1000	1110 x 1110	82,5	110	15	M125	39,57	415910
635 x 635	745 x 745	82,5	140	15	N250	22,35	415911
700 x 700	810 x 810	82,5	140	15	N250	25,26	415912
800 x 800	910 x 910	82,5	140	15	N250	30,06	415913
800 x 1000	910 x 1110	82,5	140	15	N250	26,98	415914
1000 x 1000	1110 x 1110	82,5	140	15	N250	40,62	415915

ACO Access Covers UNIFACE AL

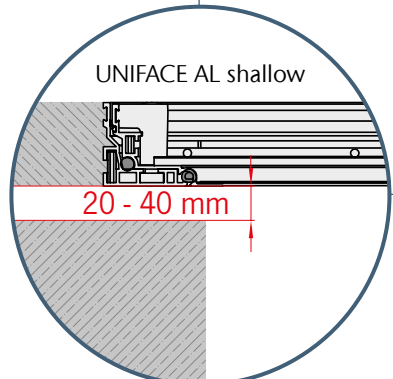
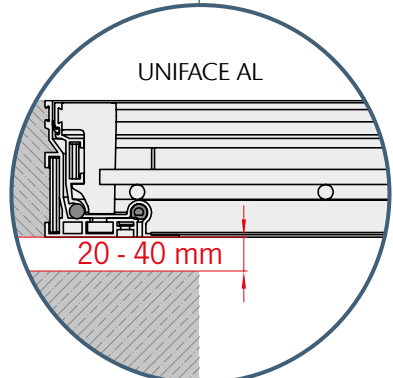
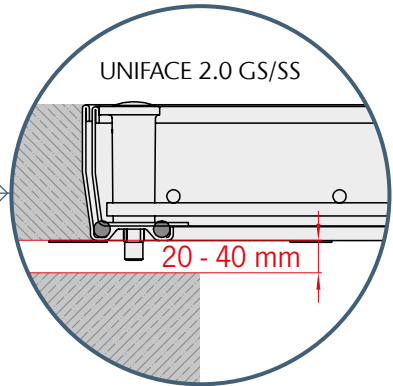
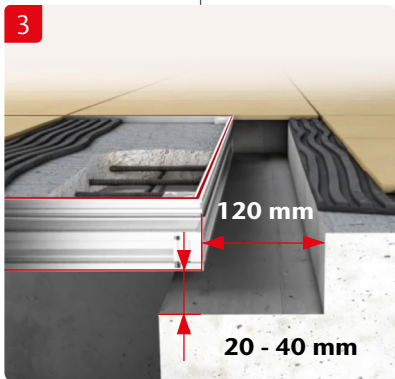
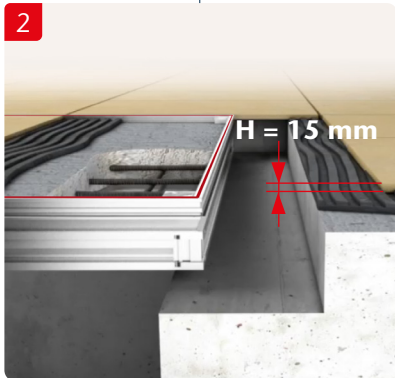
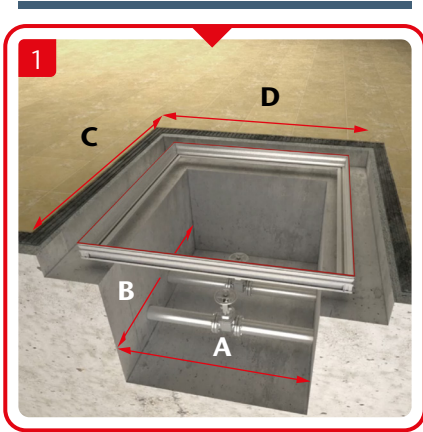
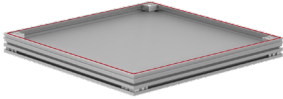
Order information

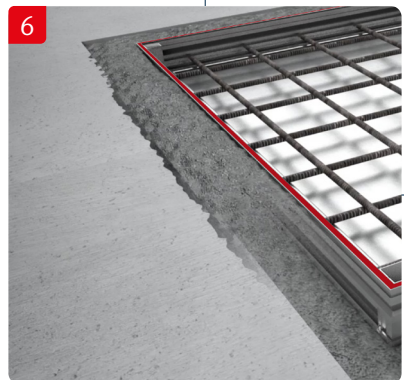
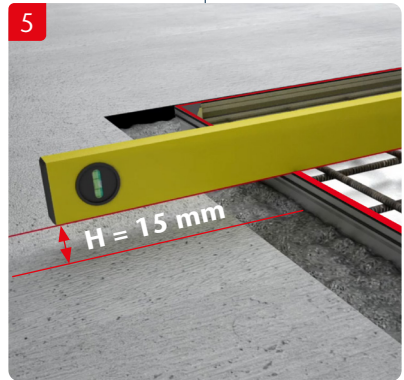
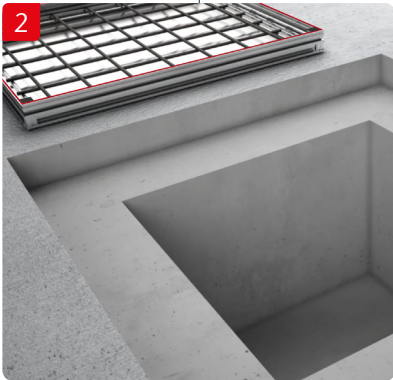
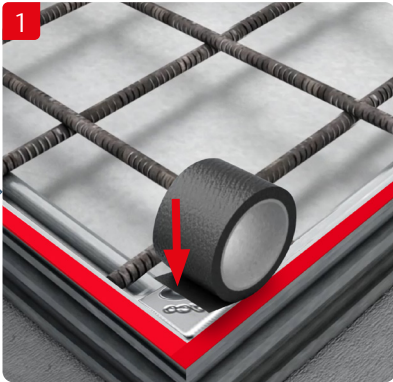
Clear opening (A x B)	External dimensions (C x D)	Frame height	Cover depth	Space for final floor	Load class (EN 1253)	Weight	Part No.
[mm]	[mm]	[mm]	[mm]	[mm]		[kg]	
200 x 200	298 x 298	72,5	70	0 / 15	M125 / M125	3,92	406881
300 x 300	398 x 398	72,5	70	0 / 15	M125 / 100 kN	5,75	405340
400 x 400	498 x 498	72,5	70	0 / 15	M125 / 100 kN	7,07	405341
400 x 600	498 x 698	72,5	70	0 / 15	M125 / 100 kN	8,73	405344
450 x 450	548 x 548	72,5	70	0 / 15	M125 / 50 kN	7,98	405342
450 x 600	548 x 698	72,5	70	0 / 15	M125 / 50 kN	9,22	406622
500 x 500	598 x 598	72,5	70	0 / 15	M125 / 50 kN	9,57	405343
600 x 600	698 x 698	72,5	70	0 / 15	M125 / 50 kN	11,43	405345
600 x 750	698 x 848	72,5	70	0 / 15	M125 / 50 kN	12,6	406623
600 x 800	698 x 898	72,5	70	0 / 15	M125 / 50 kN	12,97	405346
600 x 900	698 x 998	72,5	70	0 / 15	M125 / 50 kN	14,88	406626
600 x 1000	698 x 1098	72,5	70	0 / 15	M125 / 50 kN	15,86	405826
600 x 1200	698 x 1298	72,5	70	0 / 15	M125 / 50 kN	18,43	414953
635 x 635	733 x 733	72,5	70	0 / 15	100 kN / L15	12,06	414952
675 x 675	773 x 773	72,5	70	0 / 15	100 kN / L15	12,6	406624
700 x 700	798 x 798	72,5	70	0 / 15	100 kN / L15	13,08	405347
750 x 750	848 x 848	72,5	70	0 / 15	100 kN / L15	14,11	406625
800 x 800	898 x 898	72,5	70	0 / 15	100 kN / L15	16,14	405348
800 x 1000	898 x 1098	72,5	70	0 / 15	100 kN / L15	19,59	405349
900 x 900	998 x 998	72,5	70	0 / 15	50 kN / L15	19,87	406627
1000 x 1000	1098 x 1098	72,5	70	0 / 15	50 kN / L15	22,9	405350

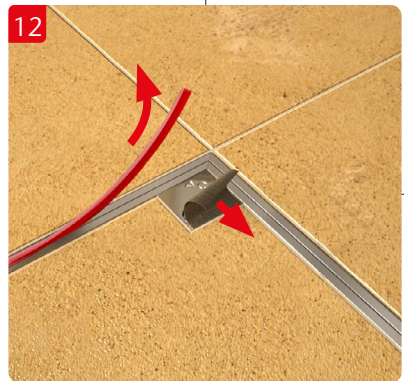
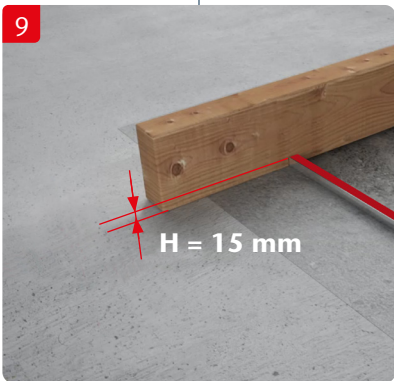
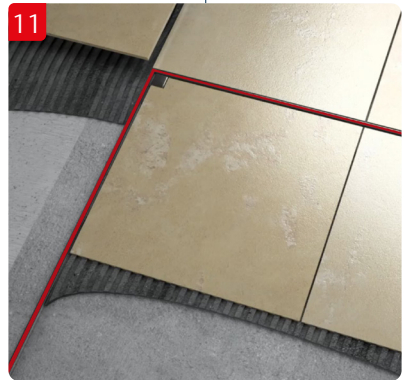
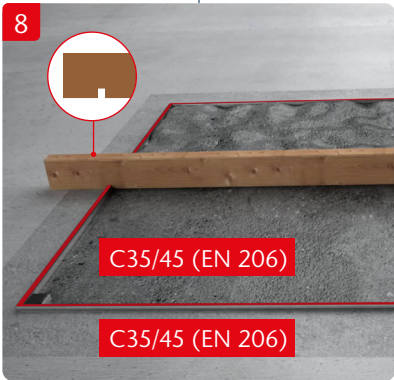
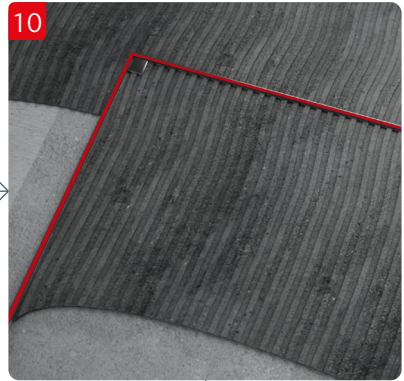
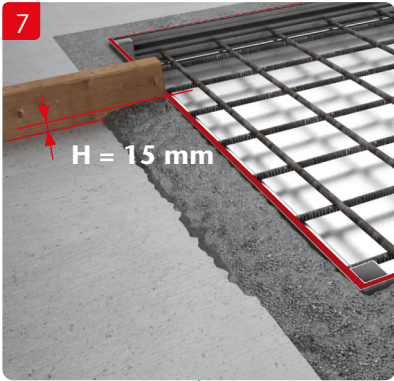
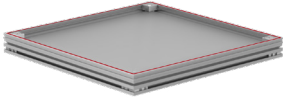
ACO Access Covers UNIFACE AL shallow

Order information

Clear opening (A x B)	External dimensions (C x D)	Frame height	Cover depth	Space for final floor	Load class (EN 1253)	Weight	Part No.
[mm]	[mm]	[mm]	[mm]	[mm]		[kg]	
200 x 200	300 x 300	50	46,5	0 / 15	L15 / K3	2,9	415140
300 x 300	400 x 400	50	46,5	0 / 15	L15 / K3	4,21	415141
400 x 400	500 x 500	50	46,5	0 / 15	L15 / K3	5,39	415142
400 x 600	500 x 700	50	46,5	0 / 15	L15 / K3	6,59	415145
450 x 450	550 x 550	50	46,5	0 / 15	L15 / K3	5,84	415143
500 x 500	600 x 600	50	46,5	0 / 15	L15 / K3	6,86	415144
600 x 600	700 x 700	50	46,5	0 / 15	L15 / K3	8,41	415146
600 x 800	700 x 900	50	46,5	0 / 15	L15 / K3	9,63	415149
600 x 900	700 x 1000	50	46,5	0 / 15	L15 / K3	10,65	415151
600 x 1000	700 x 1100	50	46,5	0 / 15	L15 / K3	11,4	415153
600 x 1200	700 x 1300	50	46,5	0 / 15	L15 / K3	12,77	415156
635 x 635	735 x 735	50	46,5	0 / 15	L15 / K3	10,8	415147
700 x 700	800 x 800	50	46,5	0 / 15	L15 / K3	11,82	415148
800 x 800	900 x 900	50	46,5	0 / 15	L15 / K3	15,13	415150
800 x 1000	900 x 1100	50	46,5	0 / 15	L15 / K3	18,02	415154
900 x 900	1000 x 1000	50	46,5	0 / 15	L15 / K3	17,94	415152
1000 x 1000	1100 x 1100	50	46,5	0 / 15	L15 / K3	20,97	415155
800 x 800	898 x 898	72,5	70	0 / 15	100 kN / L15	16,14	405348
800 x 1000	898 x 1098	72,5	70	0 / 15	100 kN / L15	19,59	405349
900 x 900	998 x 998	72,5	70	0 / 15	50 kN / L15	19,87	406627
1000 x 1000	1098 x 1098	72,5	70	0 / 15	50 kN / L15	22,9	405350









ACO. we care for water



Every ACO product supports
the ACO WaterCycle



-
- ACO Access Covers UNIFACE
 - ACO Access Covers PAVING
 - ACO Access Covers SOLID
-



ACO Industries k.s.

Havlickova 260
582 22 Pribyslav
Czech Republic

www.aco-accesscovers.com

NM1 2383 ACO Access Covers UNIFACE Manual/EN/Q3/23