

ACO Passavant Detego GmbH (ACO PD) is **the manufacturing company of the ACO Group** for the manhole covers and gully tops business segment.



Roads

Round manhole cover,
gully tops
C250, D400, watertight
600, 800mm

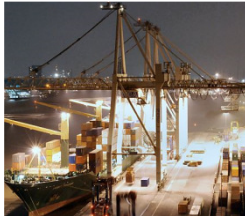
- *Multitop / Multitop S hinged D400*
- *Citytop HR D400*
- *Citytop P/S/Plus Civictop AS D400*
- *Citytop B125 / Pipetop B125/D400*
- *Watertight/800/...*
- *Gully Tops / Combipoint*



Urban Life

Tree Protection
Logos and Letterings on
Bricks and Covers
SAKU plastic covers

- *Logo Covers*
- *ACO Bricks*
- *Infill Covers*
- *SAKU covers*
- *Tree grates/guards*
- *Freestyle Design gratings*
- *Grey / anthrazite concrete*



Industry airports, ports, industry, telecom

B125-F900, round or
rectangular covers
triangular & modular systems

- *Manhole covers / gully tops F900*
- *Access covers Trigona Classictop*
- *Secant modular*
- *In-situ S-rails+gratings*



Stormbrixx, Separators, Qmax

Manhole covers

- *Separator covers*
- *Stormbrixx cover*
- *Qmax covers/gratings*



Gratings & channels

for Multiline
S-Range, SK-Range

- *Multiline gratings*
- *S Gratings*
- *SK Gratings*
- *Freestyle Design for Multiline*
- *In-situ S-rails+gratings*
- *HD DRAIN S*
I-type concrete channel



Bridges & railway

Draining and Renovating Bridges,
Bridge gullies, Ballast Bridge

- *HSD 2 / HSD 5*
- *Bridge gullies for steel bridges*
- *Ballast & railway bridge gully*
- *Tram / rail gully*



Installation & others

Certificates, environmental
information, Installation Guides,
Documents

- *Guide: How to find the right D400 solution*
- *Installation guides*
- *Certificates EN124 / ISO x0001*
- *Environmental information*



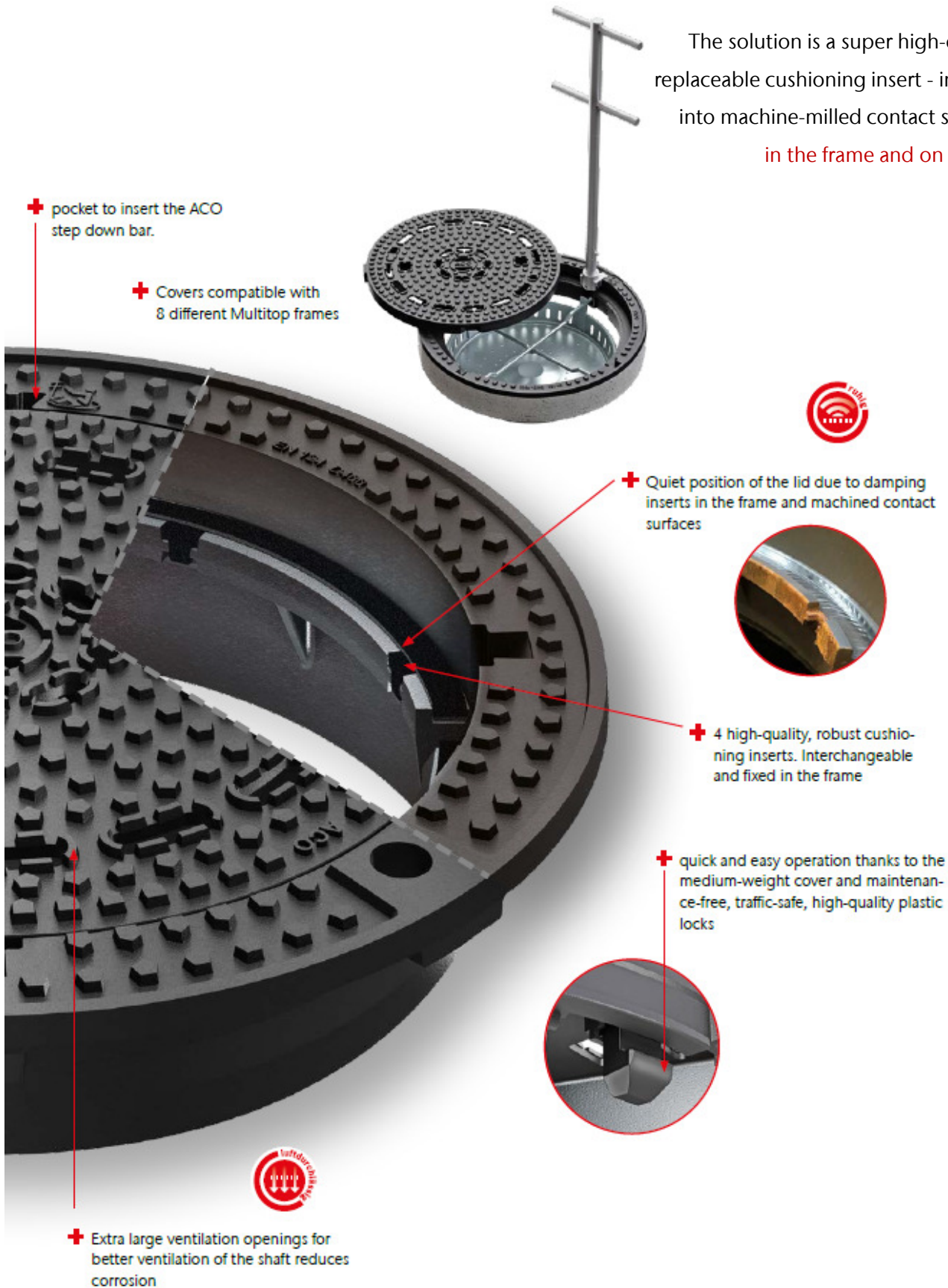
ACO Multitop

Multitop is a statement. A promise. Our identification

Rattle free positioning of the lid

Is still the no. 1 problem and issues maintenance costs, much higher than the Multitop product itself.

The solution is a super high-quality, replaceable cushioning insert - inserted into machine-milled contact surfaces **in the frame and on the lid.**





Multitop flange frame h150

with ventilation: 210572
without ventilation: 210573



Multitop BEGU square frame

with ventilation: 210530
without ventilation: 210531



Multitop Bituplan h160

with ventilation: 210500
without ventilation: 210501



Multitop Bituplan h140

with ventilation: 210560
without ventilation: 210561



Multitop Beguplan

with ventilation: 1206071
without ventilation: 1206072



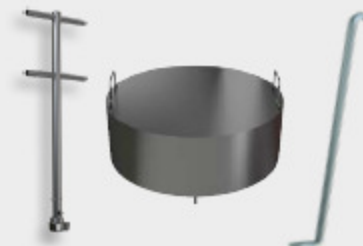
Multitop liftable

with ventilation: 210520
without ventilation: 210521



Multitop BEGU*

with ventilation: 210510
without ventilation: 210511

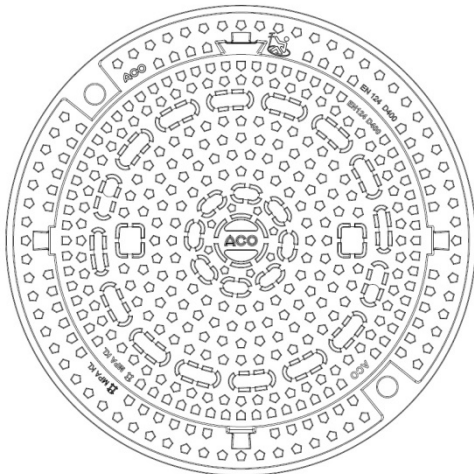
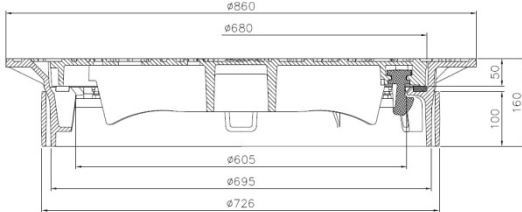


Accessories

entry facility tool: 1203121
installation shuttering: 64476
operating key :600643

*BEGU: frame is made of
cast iron and concrete

Multitop Bituplan 160



Product description

ACO Multitop Bituplan manhole cover
 Class D 400 according to EN 124
Multitop manhole cover, round, with two maintenance free, screwless, non-integrally cast and traffic-safe securing features made of high-strength plastic, cover made of spheroidal graphite cast iron (GJS), weight approx. 37/ 39kg
Bituplan self-leveling frame, round, height 160 mm, external diameter 860 mm, max. bearing pressure 1,6 N/mm²,
Adapter ring of cast iron, h100 mm total weight approx. 106 kg

Product information

- Variations**
- Black hydro-based coating
 - Logo cover
- Accessories**
- Operating tool **600643**
 - Installation shuttering **210132**

Advantages

- Self-leveling frame with a max. bearing pressure of 1,6 N/mm²
- Safe positioning of the cover due to an additional stabilization groove
- Easy installation also in case of refurbishment with the 160mm Bituplan frame
- Durable PEWEPREN cushioning insert

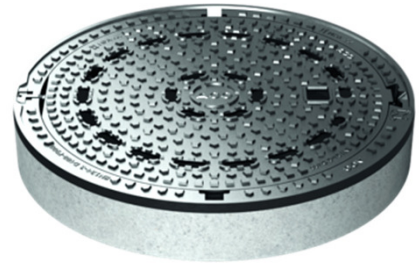
- ✓ **EN 124**
- ↓ **D400**
- ⊘ **605mm**
- △ **Anti slip**

Weight [kg]	Pcs / pallet	Ventilation holes	Black coating	Item-no. with adapter ring
106	5	x	-	210500
106	5	-	-	210501

New – Multitop Hinged = Multitop S

S stands for Scharnier (german: hinge)

Multitop S exists with Bituplan or BEGU liftable frames



The narrow and stable hinge is easy to clean and has no contact with the frame in closed position.



+ available with bituplan frame or standard frame



+ The narrow and stable hinge is easy to clean and has no contact with the frame in closed position.

the hinge

+ self - blocking at 90 degree offers advanced safety small dimension - easy to install

Multitop S Bituplan 140 [160] black



Product description

ACO Multitop Bituplan hinged manhole cover
Class D 400 according to EN 124

Multitop manhole cover, round, with maintenance free securing blocking insert made of high-strength plastic, cover made of spheroidal graphite cast iron (GJS), weight 38 kg, black hydro-based coating

Bituplan self-leveling frame, round, height 140 [160] mm external diameter 860 mm, max. bearing pressure 1,6 N/mm², black hydro-based coating, **Adapter ring** of cast iron, h80 [h100]mm, uncoated total weight approx. 100 [106] kg

Product information

Variations

- Black hydro-based coating
- Logo cover

Accessories

- Operating tool **600643**
- Installation shuttering **210132**

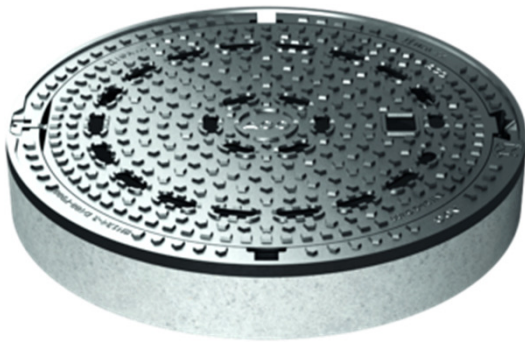
Advantages

- Self-leveling frame with a max. bearing pressure of 1,6 N/mm²
- Safe positioning of the cover due to an additional stabilization groove
- Easy installation also in case of refurbishment with the 160mm Bituplan frame
- Durable PEWEPREN cushioning insert

- ✓ EN 124
- ↓ D400
- ⊘ 605mm
- △ Anti slip

Height	Weight [kg]	Pcs / pallet	Ventilation holes	Black coating	Item-no. with adapter ring
140	100	5	X	X	1206313
140	102	5		X	1206314
160	105	5	x	X	1206311
160	107	5	-	X	1206312

Multitop S BEGU 125 [160]



Product description

ACO Multitop BEGU hinged manhole cover

Class D 400 according to EN 124

Multitop manhole cover, round, with maintenance free securing blocking insert made of high-strength plastic, cover made of spheroidal graphite cast iron (GJS500-7), weight approx. 38 kg

BEGU frame, round, cast iron, concrete height 125 [160] mm, external diameter 860 mm

total weight approx. 103 [116] kg
product is uncoated

Product information

Variations

- Logo cover

Accessories

- Operating tool **600643**
- Installation shuttering **210132**

Advantages

- Durable PEWEPREN cushioning insert

✓ EN 124

↓ D400

⊘ 605mm

△ Anti slip

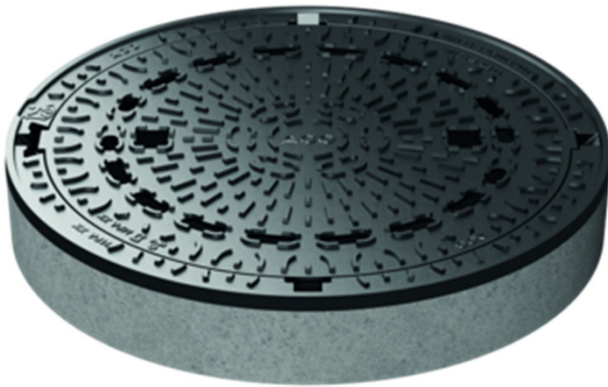
height	Weight [kg]	Pcs / pallet	Ventilation holes	Black coating	Item-no. with adapter ring
125	106	12	x	-	210580
125	106	12	-	-	210581
160	116	8	X	-	210570
160	117	8	-	-	210571



ACO Civictop manhole covers

Additional product serie

Civictop BEGU 125



Product description

ACO Civictop BEGU 125 manhole cover

Class D400 / DIN EN 124-2

Civictop manhole cover, round, clear opening 600 mm, uncoated

Lid made of ductile cast iron EN-GJS-500-7

- with ventilation openings
 - without ventilation openings
- with two screwless lockings made of wear-resistant plastic and optional device for turnbuckle bolt, optional customization by logo or inscription, lid weight approx. 35 kg

Round BEGU frame, with pockets for dirt buckets and fixed, exchangeable PEWEPREN cushioning insert – made of concrete and cast iron, frame height 125 mm, OD 780 mm

Total weight approx. 102 kg

Product information

Accessories

- Operating tool **600643**
- Entrance aid **1203121**

Advantages

- Safe positioning of the cover due to an additional stabilization groove
- Durable PEWEPREN cushioning insert

✓ EN 124

↓ D400

⊘ 605mm

Item-no.	Pcs / pallet	Ventilation holes	Black coating	Weight kg
210652		X	-	101
210653		-	-	103

Civictop Bituplan 140



Product description

ACO Civictop Bituplan 140 manhole cover

Class D400 / DIN EN 124-2

Civictop manhole cover, round, clear opening 600 mm, uncoated

Lid made of ductile cast iron EN-GJS-500-7

- with ventilation openings
 - without ventilation openings
- with two screwless lockings made of wear-resistant plastic and optional device for turnbuckle bolt, optional customization by logo or inscription, lid weight approx. 35 kg

Round Bituplan frame, with pockets for dirt buckets and fixed, exchangeable PEWEPREN cushioning insert

frame height 140 mm, skirt OD 695 mm inclusive adapterring 80mm for installation heights 150-190mm

Total weight approx. 102 kg

Product information

Accessories

- Operating tool **600643**
- Installation formwork **64476**
- Entrance aid **1203121**

Advantages

- Safe positioning of the cover due to an additional stabilization groove
- Durable PEWEPREN cushioning insert

✓ EN 124

↓ D400

∅ 605mm

Item-no.	Pcs / pallet	Ventilation holes	Black coating	Weight kg
210660		X	-	101
210661		-	-	103

Civictop Bituplan 160



Product description

ACO Civictop Bituplan 160 manhole cover

Class D400 / DIN EN 124-2

Civictop manhole cover, round, clear opening 600 mm, uncoated

Lid made of ductile cast iron EN-GJS-500-7
 ○ with ventilation openings
 ○ without ventilation openings
 with two screwless lockings made of wear-resistant plastic and optional device for turnbuckle bolt, optional customization by logo or inscription, lid weight approx. 35 kg

Round Bituplan frame, with pockets for dirt buckets and fixed, exchangeable PEWEPREN cushioning insert
 frame height 160 mm, skirt OD 695 mm
 inclusive adapterring 100mm for installation heights 170-230mm

Total weight approx. 107 kg

Product information

Accessories

- Operating tool **600643**
- Installation formwork **64476**
- Entrance aid **1203121**

Advantages

- Safe positioning of the cover due to an additional stabilization groove
- Durable PEWEPREN cushioning insert

✓ **EN 124**

↓ **D400**

∅ **605mm**

Item-no.	Pcs / pallet	Ventilation holes	Black coating	Weight kg
210650		X	-	106
210651		-	-	108

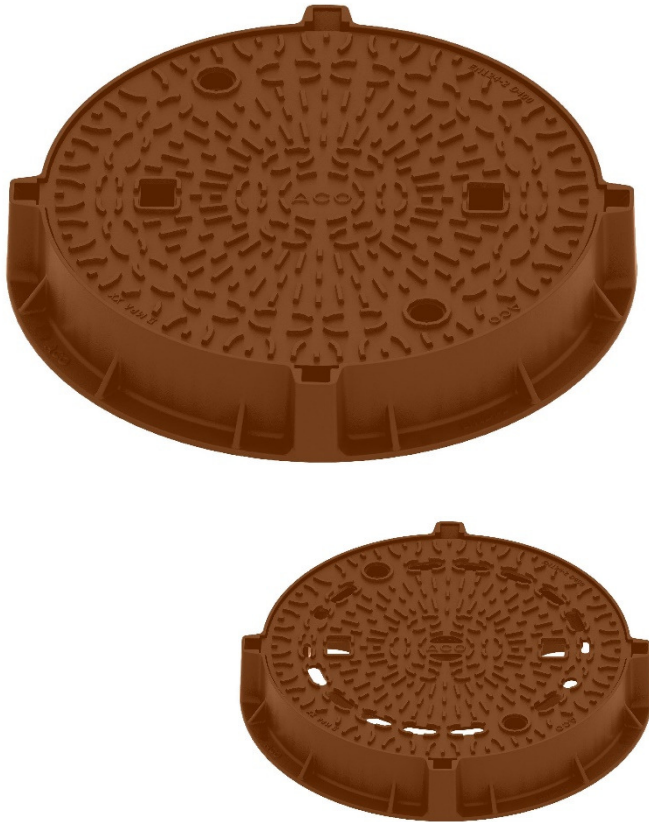


CityTop+Edition pure natural

International product series

CityTop+Edition pure Fix100 natural

Spring 2022



Product description

ACO CityTop+Edition pure manhole cover

Class D400 / DIN EN 124-2

CityTop manhole cover, round, clear opening 600 mm

Natural surface - Without black coating

Lid made of ductile cast iron EN-GJS-500-7

○ with ventilation openings

○ without ventilation openings

with two screwless lockings made of wear-resistant plastic and optional device for turnbuckle bolt, optional customization by logo or inscription, lid weight approx. 37/35 kg

with two screwless lockings made of wear-resistant plastic and optional device for turnbuckle bolt, optional customization by logo or inscription, lid weight approx. 37/35 kg

with two screwless lockings made of wear-resistant plastic and optional device for turnbuckle bolt, optional customization by logo or inscription, lid weight approx. 37/35 kg

with two screwless lockings made of wear-resistant plastic and optional device for turnbuckle bolt, optional customization by logo or inscription, lid weight approx. 37/35 kg

Round frame with flange, with PEWEPREN cushioning insert, frame height 100 mm, OD 780 mm, no pockets for dirt pans

Total weight approx. 60 / 62 kg

Product information

Accessories

- Operating tool **600643**
- Locking set **210248**

Advantages

- Safe positioning of the cover due to an additional stabilization groove
- Easy installation also in case of refurbishment with the 100 mm fix frame
- Durable PEWEPREN cushioning insert

✓ EN 124

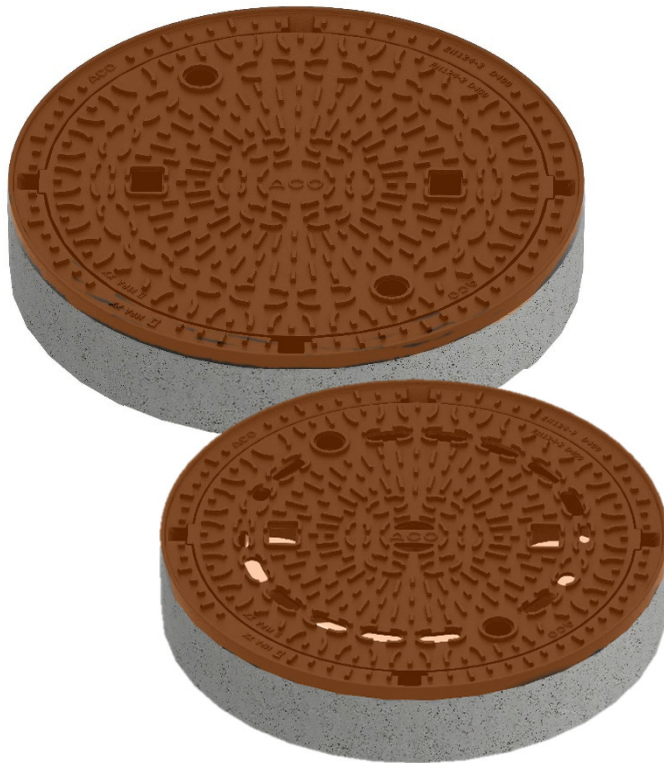
↓ D400

⊘ 605mm

⬡ Anti-theft

Flange OD	Pcs / pallet	Ventilation holes	Weight kg	Item-no.
780	16	X	60	1207911
780	16	-	62	1207912

CityTop+Edition pure BEGU125 natural



Product description

ACO CityTop+Edition pure manhole cover

Class D400 / DIN EN 124-2

CityTop manhole cover, round, clear opening 600 mm

Natural surface - Without black coating

Lid made of ductile cast iron EN-GJS-500-7

○ with ventilation openings

○ without ventilation openings

with two screwless lockings made of wear-resistant plastic and optional device for turnbuckle bolt, optional customization by logo or inscription, lid weight approx. 37/35 kg

with two screwless lockings made of wear-resistant plastic and optional device for turnbuckle bolt, optional customization by logo or inscription, lid weight approx. 37/35 kg

with two screwless lockings made of wear-resistant plastic and optional device for turnbuckle bolt, optional customization by logo or inscription, lid weight approx. 37/35 kg

with two screwless lockings made of wear-resistant plastic and optional device for turnbuckle bolt, optional customization by logo or inscription, lid weight approx. 37/35 kg

Round BEGU frame, made in cast iron and concrete, with PEWEPREN cushioning insert, frame height 125 mm, OD 780 mm

Total weight approx. 101 /103 kg

Product information

Accessories

- Operating tool **600643**
- Locking set **210248**

Advantages

- Safe positioning of the cover due to an additional stabilization groove
- Easy installation also in case of refurbishment with the 100 mm fix frame
- Durable PEWEPREN cushioning insert

✓ EN 124

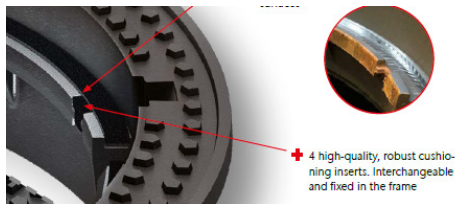
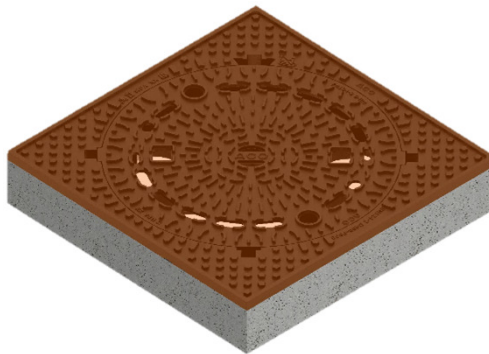
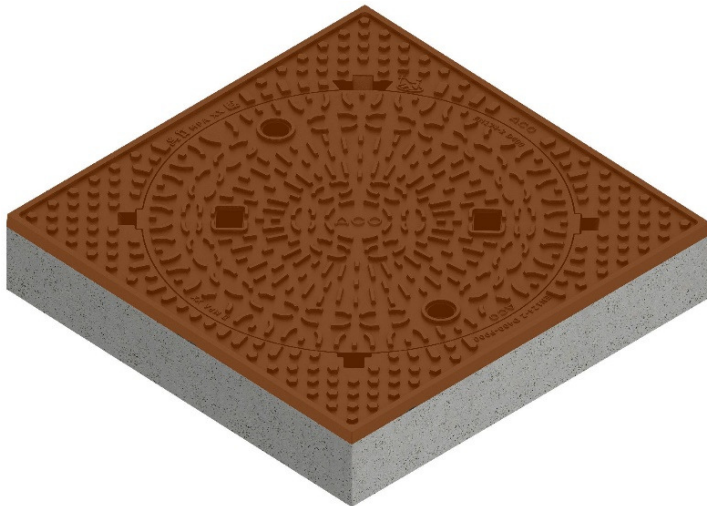
↓ D400

⊘ 605mm

⬡ Anti-theft

Flange OD	Pcs / pallet	Ventilation hole & dirt pan pockets	Weight kg	Item-no.
780	10	X	101	1207913
780	10	-	103	1207914

CityTop+Edition pure BEGU QUAD125 natural



- ✓ EN 124
- ↓ D400
- ⊘ 605mm
- ⬡ Anti-theft

Product description

ACO CityTop+Edition pure manhole cover

Class D400 / DIN EN 124-2

CityTop manhole cover, round, clear opening 600 mm

Natural surface - Without black coating

Lid made of ductile cast iron EN-GJS-500-7

○ with ventilation openings

○ without ventilation openings

with two screwless lockings made of wear-resistant plastic and optional device for turnbuckle bolt, optional customization by logo or inscription, lid weight approx. 37/35 kg

with two screwless lockings made of wear-resistant plastic and optional device for turnbuckle bolt, optional customization by logo or inscription, lid weight approx. 37/35 kg

with two screwless lockings made of wear-resistant plastic and optional device for turnbuckle bolt, optional customization by logo or inscription, lid weight approx. 37/35 kg

with two screwless lockings made of wear-resistant plastic and optional device for turnbuckle bolt, optional customization by logo or inscription, lid weight approx. 37/35 kg

SQUARE BEGU frame, made in cast iron and concrete, with 4 exchangeable PEWEPREN cushioning inserts, machined seating, frame height 125 mm, OD 780x780 mm

SQUARE BEGU frame, made in cast iron and concrete, with 4 exchangeable PEWEPREN cushioning inserts, machined seating, frame height 125 mm, OD 780x780 mm

SQUARE BEGU frame, made in cast iron and concrete, with 4 exchangeable PEWEPREN cushioning inserts, machined seating, frame height 125 mm, OD 780x780 mm

SQUARE BEGU frame, made in cast iron and concrete, with 4 exchangeable PEWEPREN cushioning inserts, machined seating, frame height 125 mm, OD 780x780 mm

SQUARE BEGU frame, made in cast iron and concrete, with 4 exchangeable PEWEPREN cushioning inserts, machined seating, frame height 125 mm, OD 780x780 mm

SQUARE BEGU frame, made in cast iron and concrete, with 4 exchangeable PEWEPREN cushioning inserts, machined seating, frame height 125 mm, OD 780x780 mm

SQUARE BEGU frame, made in cast iron and concrete, with 4 exchangeable PEWEPREN cushioning inserts, machined seating, frame height 125 mm, OD 780x780 mm

SQUARE BEGU frame, made in cast iron and concrete, with 4 exchangeable PEWEPREN cushioning inserts, machined seating, frame height 125 mm, OD 780x780 mm

SQUARE BEGU frame, made in cast iron and concrete, with 4 exchangeable PEWEPREN cushioning inserts, machined seating, frame height 125 mm, OD 780x780 mm

SQUARE BEGU frame, made in cast iron and concrete, with 4 exchangeable PEWEPREN cushioning inserts, machined seating, frame height 125 mm, OD 780x780 mm

SQUARE BEGU frame, made in cast iron and concrete, with 4 exchangeable PEWEPREN cushioning inserts, machined seating, frame height 125 mm, OD 780x780 mm

SQUARE BEGU frame, made in cast iron and concrete, with 4 exchangeable PEWEPREN cushioning inserts, machined seating, frame height 125 mm, OD 780x780 mm

SQUARE BEGU frame, made in cast iron and concrete, with 4 exchangeable PEWEPREN cushioning inserts, machined seating, frame height 125 mm, OD 780x780 mm

SQUARE BEGU frame, made in cast iron and concrete, with 4 exchangeable PEWEPREN cushioning inserts, machined seating, frame height 125 mm, OD 780x780 mm

SQUARE BEGU frame, made in cast iron and concrete, with 4 exchangeable PEWEPREN cushioning inserts, machined seating, frame height 125 mm, OD 780x780 mm

SQUARE BEGU frame, made in cast iron and concrete, with 4 exchangeable PEWEPREN cushioning inserts, machined seating, frame height 125 mm, OD 780x780 mm

SQUARE BEGU frame, made in cast iron and concrete, with 4 exchangeable PEWEPREN cushioning inserts, machined seating, frame height 125 mm, OD 780x780 mm

SQUARE BEGU frame, made in cast iron and concrete, with 4 exchangeable PEWEPREN cushioning inserts, machined seating, frame height 125 mm, OD 780x780 mm

SQUARE BEGU frame, made in cast iron and concrete, with 4 exchangeable PEWEPREN cushioning inserts, machined seating, frame height 125 mm, OD 780x780 mm

SQUARE BEGU frame, made in cast iron and concrete, with 4 exchangeable PEWEPREN cushioning inserts, machined seating, frame height 125 mm, OD 780x780 mm

SQUARE BEGU frame, made in cast iron and concrete, with 4 exchangeable PEWEPREN cushioning inserts, machined seating, frame height 125 mm, OD 780x780 mm

SQUARE BEGU frame, made in cast iron and concrete, with 4 exchangeable PEWEPREN cushioning inserts, machined seating, frame height 125 mm, OD 780x780 mm

SQUARE BEGU frame, made in cast iron and concrete, with 4 exchangeable PEWEPREN cushioning inserts, machined seating, frame height 125 mm, OD 780x780 mm

SQUARE BEGU frame, made in cast iron and concrete, with 4 exchangeable PEWEPREN cushioning inserts, machined seating, frame height 125 mm, OD 780x780 mm

SQUARE BEGU frame, made in cast iron and concrete, with 4 exchangeable PEWEPREN cushioning inserts, machined seating, frame height 125 mm, OD 780x780 mm

SQUARE BEGU frame, made in cast iron and concrete, with 4 exchangeable PEWEPREN cushioning inserts, machined seating, frame height 125 mm, OD 780x780 mm

SQUARE BEGU frame, made in cast iron and concrete, with 4 exchangeable PEWEPREN cushioning inserts, machined seating, frame height 125 mm, OD 780x780 mm

SQUARE BEGU frame, made in cast iron and concrete, with 4 exchangeable PEWEPREN cushioning inserts, machined seating, frame height 125 mm, OD 780x780 mm

SQUARE BEGU frame, made in cast iron and concrete, with 4 exchangeable PEWEPREN cushioning inserts, machined seating, frame height 125 mm, OD 780x780 mm

SQUARE BEGU frame, made in cast iron and concrete, with 4 exchangeable PEWEPREN cushioning inserts, machined seating, frame height 125 mm, OD 780x780 mm

SQUARE BEGU frame, made in cast iron and concrete, with 4 exchangeable PEWEPREN cushioning inserts, machined seating, frame height 125 mm, OD 780x780 mm

SQUARE BEGU frame, made in cast iron and concrete, with 4 exchangeable PEWEPREN cushioning inserts, machined seating, frame height 125 mm, OD 780x780 mm

SQUARE BEGU frame, made in cast iron and concrete, with 4 exchangeable PEWEPREN cushioning inserts, machined seating, frame height 125 mm, OD 780x780 mm

Product information

Accessories

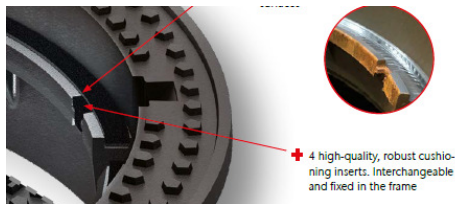
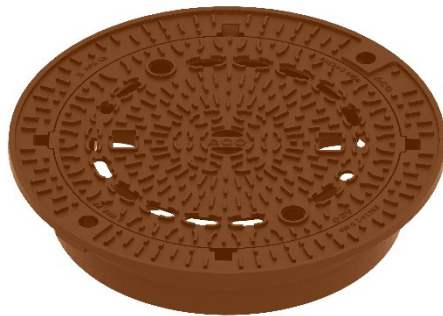
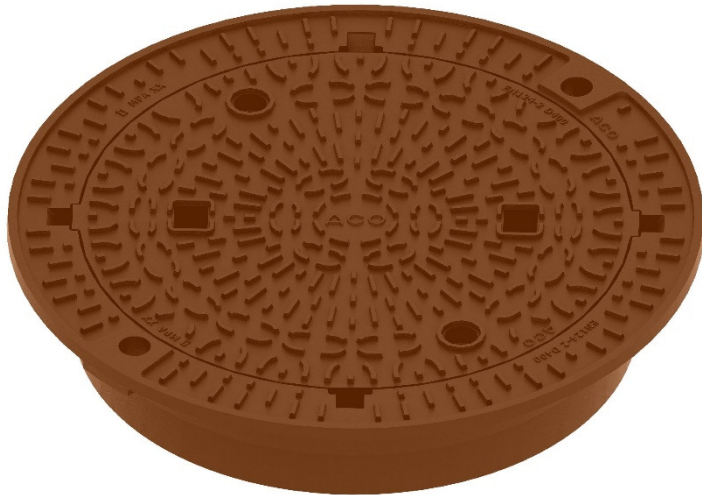
- Operating tool **600643**
- Locking set **210248**

Advantages

- Safe positioning of the cover due to an additional stabilization groove
- Easy installation also in case of refurbishment with the 100 mm fix frame
- Durable PEWEPREN cushioning insert

Flange OD	Pcs / pallet	Ventilation holes	Weight kg	Item-no.
780	10	X	158	1207915
780	10	-	160	1207916

CityTop+Edition pure Bituplan140 natural



- ✓ EN 124
- ↓ D400
- ⊘ 605mm
- ⬡ Anti-theft

Product description

ACO CityTop+Edition pure manhole cover

Class D400 / DIN EN 124-2

CityTop manhole cover, round, clear opening 600 mm

Natural surface - Without black coating

Lid made of ductile cast iron EN-GJS-500-7

○ with ventilation openings

○ without ventilation openings

with two screwless lockings made of wear-resistant plastic and optional device for turnbuckle bolt, optional customization by logo or inscription, lid weight approx. 37/35 kg

Bituplan frame for installation into asphalt, with 4 exchangeable PEWEPREN cushioning inserts, machined seating, including pockets for entrance aid, frame height 140 mm

With adapter ring.

Product information

Accessories

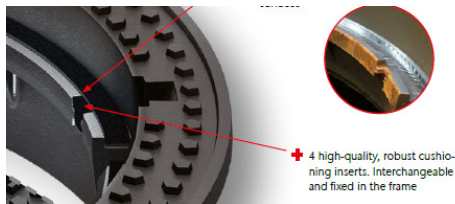
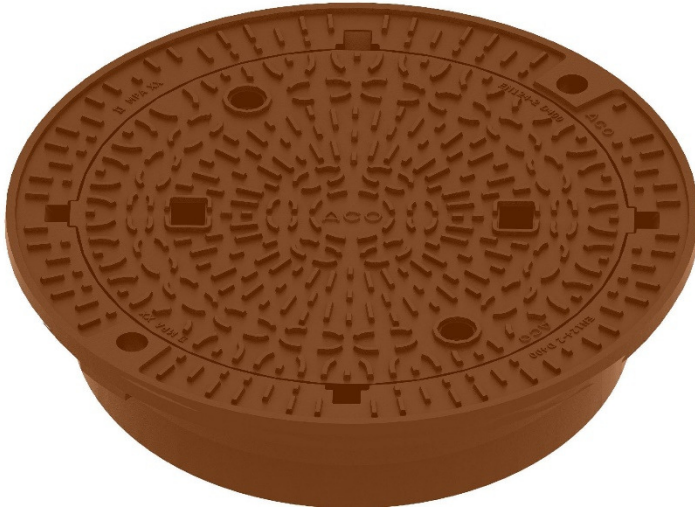
- Operating tool **600643**
- Locking set **210248**

Advantages

- Safe positioning of the cover due to an additional stabilization groove
- Easy installation also in case of refurbishment with the 100 mm fix frame
- Durable PEWEPREN cushioning insert

Flange OD	Pcs / pallet	Ventilation holes	Weight kg	Item-no.
860	12	X	102	1208779
860	12	-	100,3	1208780

CityTop+Edition pure Bituplan160 natural



- EN 124**
- D400**
- 605mm**
- Anti-theft**

Product description

ACO CityTop+Edition pure manhole cover

Class D400 / DIN EN 124-2

CityTop manhole cover, round, clear opening 600 mm

Natural surface - Without black coating

Lid made of ductile cast iron EN-GJS-500-7

○ with ventilation openings

○ without ventilation openings

with two screwless lockings made of wear-resistant plastic and optional device for turnbuckle bolt, optional customization by logo or inscription, lid weight approx. 37/35 kg

Bituplan frame for installation into asphalt,

with 4 exchangeable PEWEPREN cushioning inserts, machined seating, including pockets for entrance aid, frame height 160 mm

With adapter ring.

Product information

Accessories

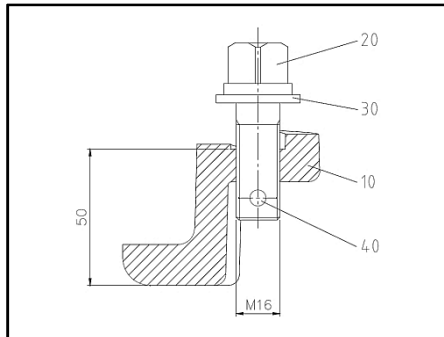
- Operating tool **600643**
- Locking set **210248**

Advantages

- Safe positioning of the cover due to an additional stabilization groove
- Easy installation also in case of refurbishment with the 100 mm fix frame
- Durable PEWEPREN cushioning insert

Flange OD	Pcs / pallet	Ventilation holes	Weight kg	Item-no.
860	12	X	100,4	1208781
860	12	-	102,2	1208782

Accessories

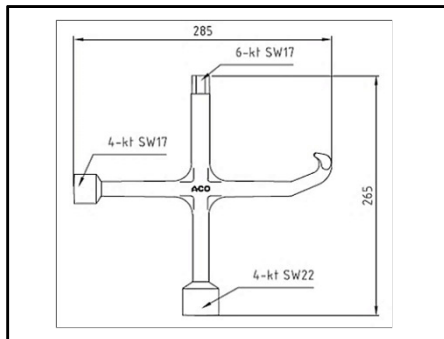


Anti-theft kit

For Civictop AS, Citytop Plus / P and S

Article 210248

Weight 1,2 kg



Opening- and lifting tool

Article 85518 / 4143.00.00

Weight 1,3 kg

Made of cast iron



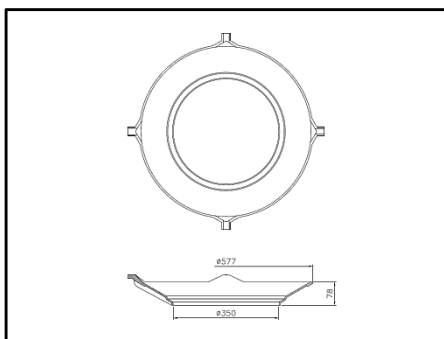
Opening- and lifting tool

length 600 mm

Article 600643

Weight 1,5 kg

Made of steel



Funnel with bucket support

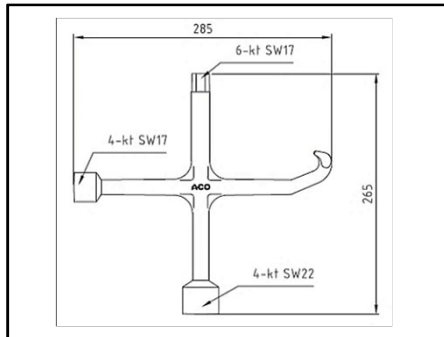
For inlet gratings \varnothing 600 mm
to use buckets acc. to DIN4052

Article 85621 / 4750.00.00

Weight 12 kg

Made of cast iron

Accessories



Opening- and lifting tool

Article 85518 / 4143.00.00

Weight 1,3 kg

Made of cast iron



Opening- and lifting tool

length 600 mm

Article 600643

Weight 1,5 kg

Made of steel



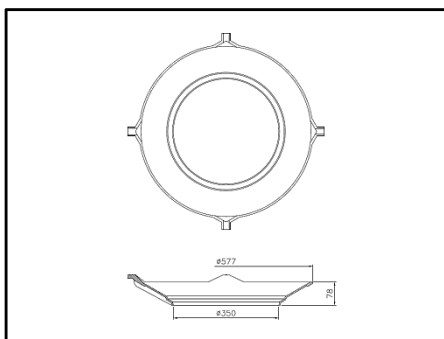
Installation formwork / shuttering (reusable)

For Bituplan covers \varnothing 600 mm

Article 64476

Weight 10 kg

Made of steel



Funnel with bucket support

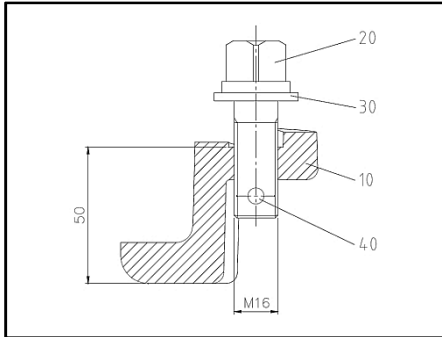
For inlet gratings \varnothing 600 mm
to use buckets acc. to DIN4052

Article 85621 / 4750.00.00

Weight 12 kg

Made of cast iron

Accessories

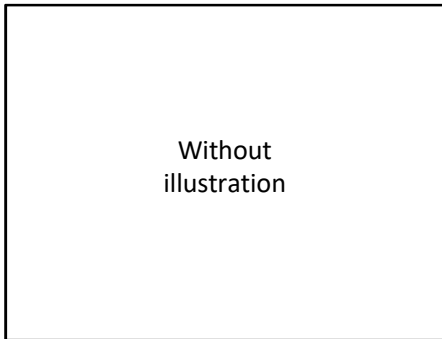


Anti-theft kit

For CityTop P and CityTop S manhole tops

Article 210248

Weight 1,2 kg



Without
illustration

Set of fixing clamps

for anchoring backflow safe covers with the shaft
(1 set of 9 clamps with bolts)

Article 57184 / 4028.20.35

Weight 7 kg

Made of steel



ACO SEVERIN AHLMANN HOLDING GMBH
ACO Passavant Detego GmbH

Scheidertalstr. 3
65526 Aarbergen

+49 6120 28 8126
+49 6120 28 6095
cast-iron-team@aco.com

aco-passavant-guss.de
aco.com
aco-tiefbau.com

