



Collection point for  
wastewater and rainwater

ACO Self® Europoint

The modular system  
for point drainage





**ACO Self® Europoint drainage of open spaces**

- Water tap positions in gardens, on patios, terraces,
- water taps at garage entrances,
- private car parking spaces: public parking spaces, customer parking spaces in front of supermarkets, company parking spaces
- Parking areas

**ACO point drainage  
In modular system- one point outlet for every application**

The ACO Self® modular system has now received a new generation: The successful linear drainage system for private homes, courtyard and garden areas has been extended by a modular point drainage system. Just like the channels and gutters, the point outlet combines high quality with aesthetic demands.

When paving stones, pavement slabs or asphalt seal the surfaces around buildings, rainwater and wastewater cannot seep away naturally. The frost and de-icing salt resistant ACO Self® point outlet provides a simple and practical solution for driveways, as well as courtyards and larger parking areas, ensuring that surface water is collected and drained. Even under water tap points in the garden, they ensure a reliable absorption of the water.

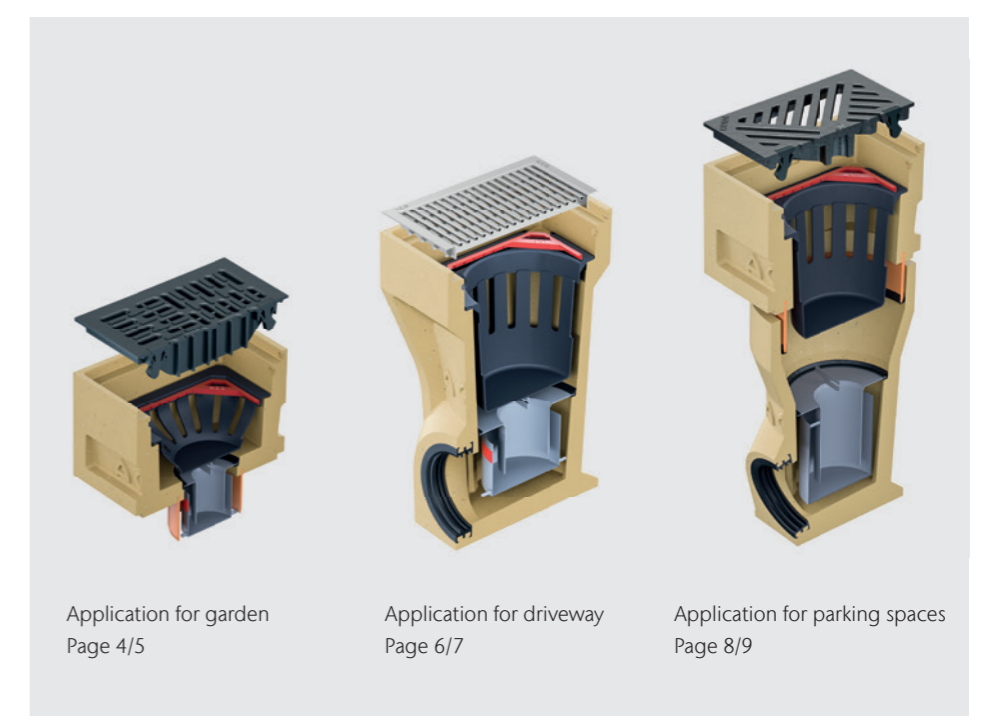
With the development of the Europoint outlet made of polymer concrete and Hexapoint made of plastic (probably available at the end of 2019)

ACO now provides numerous individual combination options. The gratings, which can be driven on by private cars, are visually oriented towards the linear drainage system and therefore enable a holistic design. The storage concept is also based on the ACO Self® modular linear drainage system.

ACO Self® Hexapoint and Europoint point outlets are characterised by an absolutely tight connection of the construction elements and a high-quality grating locking system. They comply with the most diverse demands - from simple to standard-compliant installation with regard to frost protection and wastewater level.

Leaf trap bucket and sludge bucket are easy to remove and clean. ACO Self® point outlets are also true all-rounders due to the extensive range of accessories for every application and installation situation, such as odour traps, attachments for height compensation and/or connection of a rain-water downpipe.

**Modular system: Page 10/11**



Application for garden  
Page 4/5

Application for driveway  
Page 6/7

Application for parking spaces  
Page 8/9

### ACO point drainage for the garden area

The drainage of the sealed area of the pavement around the house in the garden area can be simply implemented by means of a point outlet. This point outlet also cuts a fine figure in connection with a water intake point from the ACO Rain4me series. This therefore enables you reach your destination without getting your feet wet.

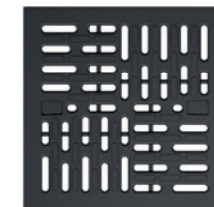
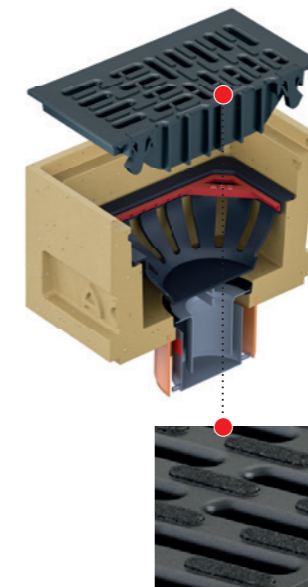


### ACO Self® Europoint Flat

With leaf trap and optional odour trap, water seal height 50 mm, for connection to a vertical DN/OD 110 KG pipe.

### Slip resistant Microgrip grating

Smooth surfaces in the area of terraces, patios or house entrances can quickly turn into slippery areas with moisture. Many floor coverings are equipped with anti-slip surfaces for this reason. To round off the solution, ACO's new plastic grating with Microgrip is the first system to provide a slip-resistant cover for drainage systems around the house.



Available from 2020  
Alternatively, there is a choice of other covers  
— refer to Page 10

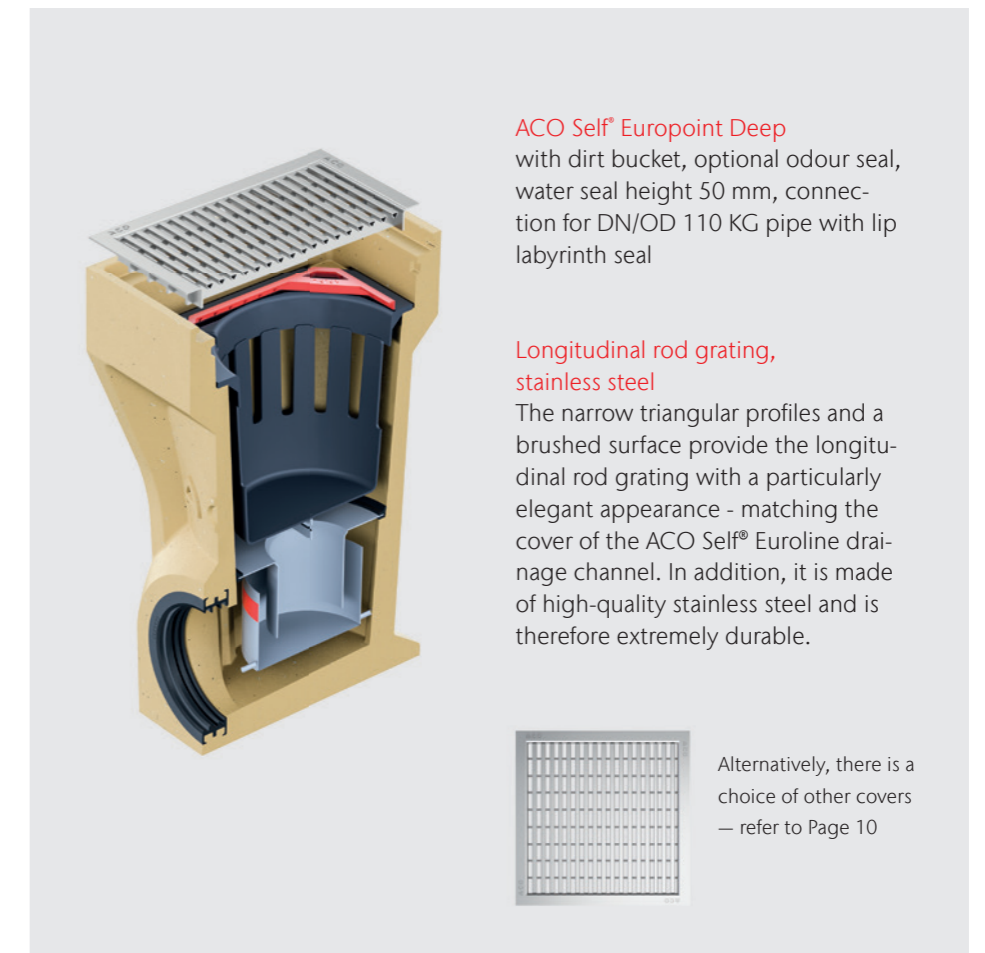


**ACO Self® Europoint Deep**  
With top section box for horizontal connection to DN/OD 110 KG pipe

## ACO point drainage at the garage driveway

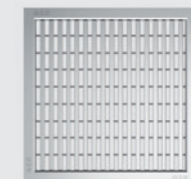
One will often find water intake points and rain downpipes located near the house and the driveway to the carport/garage. Different requirements can be jointly solved by one product with the point outlet. The water can be taken up and discharged in a targeted manner. Leaves, contaminati-

on and impurities from the environment are absorbed and collected in the integrated, easy-to-clean silt collection bucket. Odour nuisance from the urban mixed sewer can be prevented by utilising a functional odour trap.



**ACO Self® Europoint Deep**  
with dirt bucket, optional odour seal, water seal height 50 mm, connection for DN/OD 110 KG pipe with lip labyrinth seal

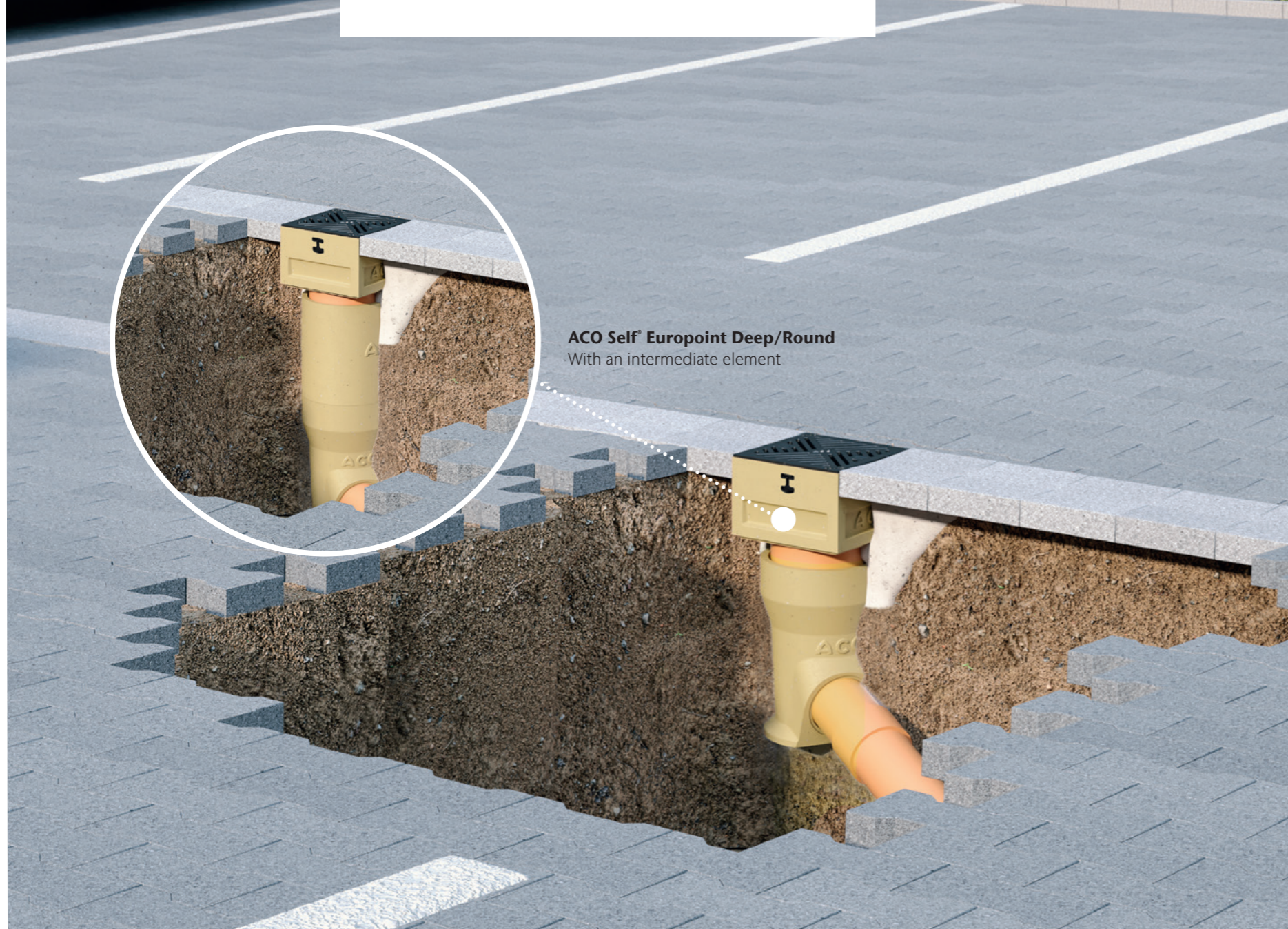
**Longitudinal rod grating, stainless steel**  
The narrow triangular profiles and a brushed surface provide the longitudinal rod grating with a particularly elegant appearance - matching the cover of the ACO Self® Euroline drainage channel. In addition, it is made of high-quality stainless steel and is therefore extremely durable.



Alternatively, there is a choice of other covers — refer to Page 10

### ACO point drainage in area accessible by private cars

Complex installation situations often arise in larger areas of residential complexes which are accessible by private cars, in which standard-compliant installation defines frost resistance and sufficient wastewater heights in odour traps. The ACO Self® point drainage system provides the suitable solution for this. In addition, the point outlet can be very precisely adapted to the surface area by its adjustable gully top. The individual car-accessible gratings round off the functional product.



**ACO Self® Europoint Deep/Round**  
With an intermediate element

### ACO Self® Europoint Deep/Round

With dirt bucket, optional odour seal, water seal height 100 mm, with lip seal ring and optimally adjustable (height, inclination and 360° rotation). Can be configured with two intermediate parts for standard-compliant frost-proof installation (depth >800 mm).



3% inclinable



360° rotatable



30 mm height adjustable

### Cast iron cover grating Class B

A classic in the ACO Self® grating range. The robust material and the striking shaft design have been quality features for years. The cast iron grating is particularly suitable for areas subjected to heavy traffic.



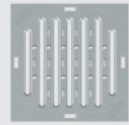
Alternatively, there is a choice of other covers — refer to Page 10



ACO Self®

modular point drainage system

Grat



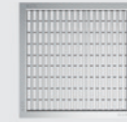
Galvanised steel **ladder grating**  
Car-accessible, Art.-No. 319620



Galvanised steel **mesh grating**  
Cl. B 125, Art.-No. 319626

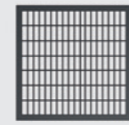


**Cast iron grating**  
Cl. B 125, Art.-No. 319624

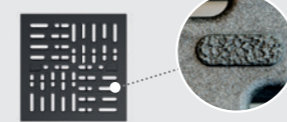


**Stainless steel** longitudinal rod  
Car-accessible, Art.-No. 319622

From 2020



**Mesh grating** in plastic  
Car-accessible, Art.-No. 319621



**Plastic grating** with Microgrip  
Cl. B 125, Art.-No. 319623

optional:  
Frame



**Design frame** made of  
stainless steel  
Art.-Nr. 319646

Reversing frame for colour-matching connection on the gratings

Upper part

**Upper part**

For round drain body,  
with socket, DN 200  
Art. No. 319602



10

optional:  
Top chamber



**Top chamber**  
With downpipe connection,  
with DN 100 lip  
labyrinth seal  
Art.-No. 319607

optional:  
Intermediate section



**Intermediate section**  
For round drain body  
(maximum 2 pieces  
for standard-compliant  
installation)  
Art.-No. 319606



Outlet



**Flat drain body**  
with socket for  
connection of DN/OD  
110 KG pipes  
Art.-No. 319601



**Deep drain body**  
With connection for  
DN/OD 110 KG pipe with lip  
labyrinth seal  
Art.-No. 319604



**Deep/Round drain body**  
in connection with upper part,  
with connection for DN/OD 110  
KG pipe, with lip labyrinth seal  
Art.-No. 319605

optional: **Accessories**

**Grating hook**

For lifting out the grate  
and removing the odour  
trap  
Art.-No. 319655



**ACO Waterseal sealant**

For sealing the  
intermediate parts,  
300 ml, Art.-No. 74520  
Suitable for:  
Art.-No. 319607  
Art.-No. 319606



**Dirt trap**

Sludge bucket 2.6 l  
Art.-No. 319482  
Suitable for:  
Art.-No. 319604  
Art.-No. 319602



**Leaf trap bucket**

1,1 l  
Art.-No. 319483  
Suitable for:  
Art.-No. 319604  
Art.-No. 319602  
Art.-No. 319601



**Odour trap**

Sealing water height 100 mm  
Art.-No. 319643  
Suitable for:  
Art.-No. 319605



Sealing water height 50 mm  
Art.-No. 319642  
Suitable for:  
Art.-No. 319605  
Art.-No. 319604



Sealing water height 50 mm  
Art.-No. 319644  
Suitable for:  
Art.-No. 319601



11

Every product from ACO Hochbau supports the ACO system chain



#### System solutions for the cellar

- Cellar window
- Assembly plates for light wells
- Pressurised water tight light well
- Backflow systems

#### Infrastructure for house and garden

- Bath drainage
- Shaft covers
- Facade gutters
- Linear drainage
- Point drainage
- Shoe scraper
- Honeycomb panels and gravel stabilisation
- Linear Infiltration

#### Barn windows and escape doors



#### ACO Hochbau Vertrieb GmbH

P.O. Box 1125  
97661 Bad Kissingen  
Neuwirtshäuser Straße 14  
97723 Oberthulba  
Tel. 09736 41-60  
Fax 09736 41-69

hochbau@aco.com  
[www.aco-hochbau.de](http://www.aco-hochbau.de)

**ACO. creating  
the future of drainage**

